

A71 FINE PITCH IDC SOCKET WITH LOCKING LATCH

PITCH: 1.27mm

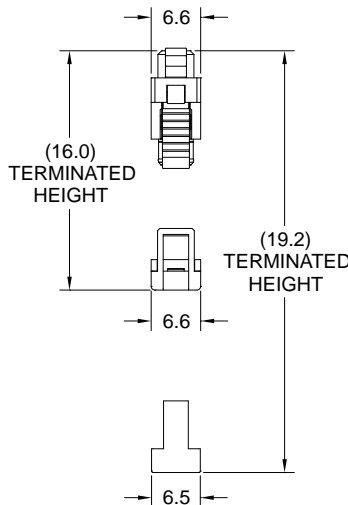
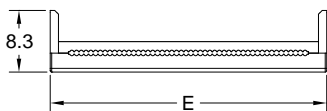
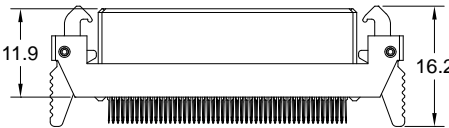
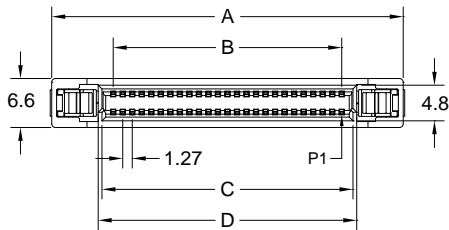
SPECIFICATIONS

Material

Insulator : PBT, glass reinforced, rated UL 94V-0
 Contact : Phosphor Bronze

Electrical

Current Rating : 1 Amp
 Contact Resistance : 30 mΩ max.
 Insulation Resistance : 1000 MΩ min.
 Dielectric Withstanding Voltage : 250V AC for 1minute
 Operating Temperature : -40°C to +105°C
 ▶ Terminated with L03-0.635mm pitch flat ribbon cable.
 ▶ Mating Suggestion : C101 & C101a series.



POSITION	A	B	C	D	E
10	21.48	5.08	8.08	9.08	11.48
14	24.02	7.62	10.62	11.62	14.02
16	25.29	8.89	11.89	12.89	15.29
20	27.83	11.43	14.43	15.43	17.83
26	31.64	15.24	18.24	19.24	21.64
30	34.18	17.78	20.78	21.78	24.18
32	35.45	19.05	22.05	23.05	25.45
34	36.72	20.32	23.32	24.32	26.72
40	40.53	24.13	27.13	28.13	30.53
50	46.88	33.48	33.48	34.48	36.88
60	53.23	36.83	39.83	40.83	43.23
68	58.31	41.91	44.91	45.91	48.31
80	65.93	49.53	52.53	53.53	55.93
100	78.63	62.23	65.23	66.23	68.63



How to order: A71 - 1 - 2 - 3 - 4 - 5 - G(RoHS)

1.NO. OF CONTACT	2.CONTACT MATERIAL	3.CONTACT PLATING	4.SPECIAL FUNCTION	5.INSULATOR COLOR
10 14 16 20 26 30 32 34 40 50 60 68 80 100	B: PHOSPHOR BRONZE	T: TIN PLATED S: SELECTIVE G: GOLD FLASH A: 5u" INCH GOLD B: 10u" INCH GOLD C: 15u" INCH GOLD D: 30u" INCH GOLD	A: W STRAIN RELIEF B: W/O STRAIN RELIEF	1. BLACK