

A30 SCA CONNECTOR IDC TYPE (MALE)

PITCH: 1.27mm

SPECIFICATIONS

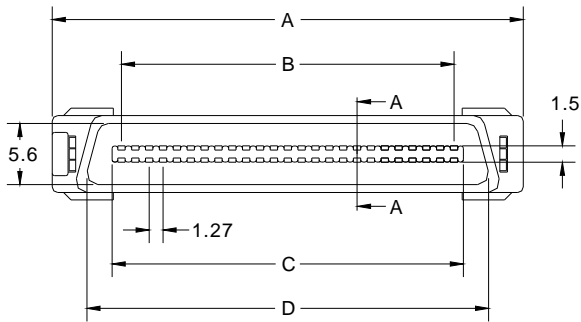
Material

Insulator : PBT, glass reinforced, rated UL 94V-0
 Contact : Phosphor Bronze

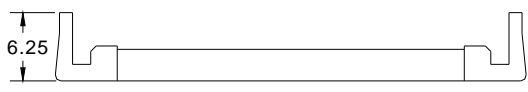
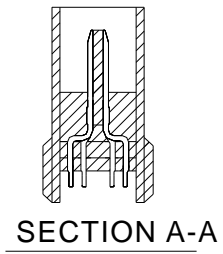
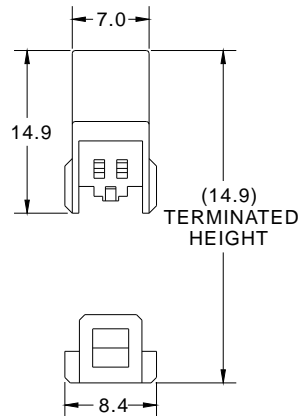
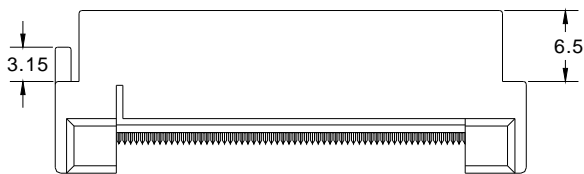
Electrical

Current Rating : 1 Amp
 Contact Resistance : 30 mΩ max.
 Insulation Resistance : 1000 MΩ min.
 Dielectric Withstanding Voltage : 250V AC for 1minute
 Operating Temperature : -40°C to +105°C

- ▶ Terminated with L03-0.635mm pitch flat ribbon cable.
- ▶ Mating Suggestion : A31 series.



POSITION	A	B	C	D
20	24.12	11.43	13.14	17.76
30	30.47	17.78	19.49	24.11
40	36.83	24.13	25.84	30.46
50	43.17	30.48	32.19	36.81
60	49.52	36.83	38.54	43.16
68	54.60	41.91	43.62	48.24
80	62.22	49.53	51.24	55.86
100	74.92	62.23	63.94	68.56



How to order: A30 - 1 - 2 - 3 - 4 - 5 - 6 - G(RoHS)

1.NO. OF CONTACT	2.CONTACT TYPE	3.CONTACT MATERIAL	3.CONTACT PLATING	5.ACCESSORIES	6.INSULATOR COLOR
20 30 40 50 60 68 80 100	M: MALE	B: PHOSPHOR BRONZE	T: TIN PLATED S: SELECTIVE G: GOLD FLASH A: 5u" INCH GOLD B: 10u" INCH GOLD C: 15u" INCH GOLD D: 30u" INCH GOLD	B: W/O STRAIN RELIEF	1. BLACK