

A69 FINE PITCH SHROUDED HEADER IDC TYPE

PITCH: 1.27mm * 2.54mm

SPECIFICATIONS

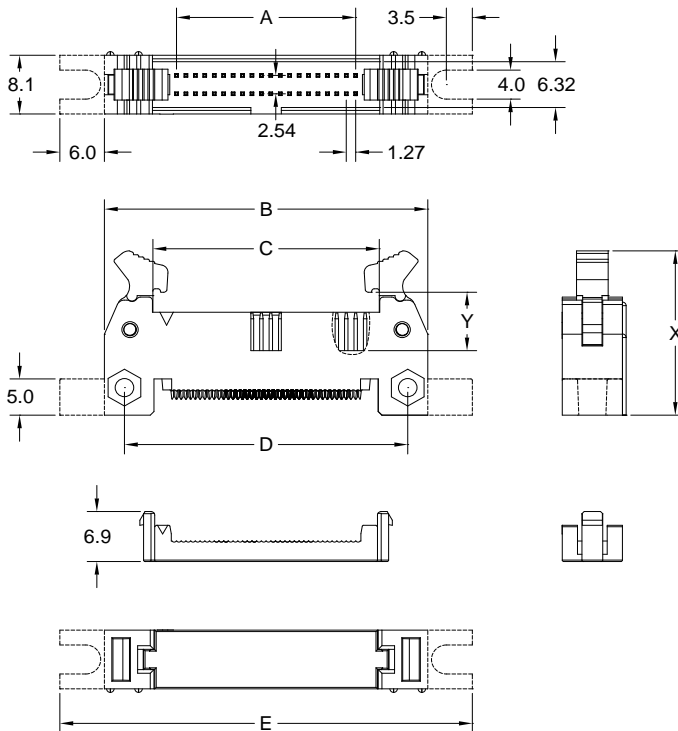
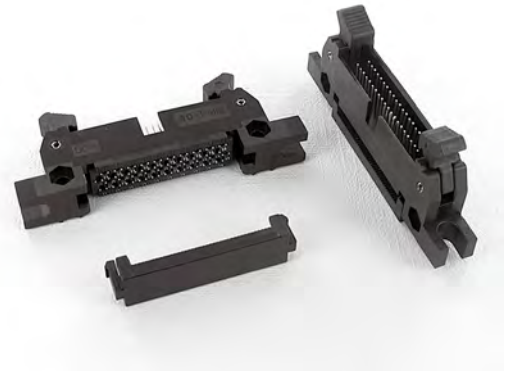
Material

Insulator : PBT, glass reinforced, rated UL 94V-0
 Contact : Phosphor Bronze

Electrical

Current Rating : 1 Amp
 Contact Resistance : 30 mΩ max.
 Insulation Resistance : 1000 MΩ min.
 Dielectric Withstanding Voltage : 250V AC for 1minute
 Operating Temperature : -40°C to +105°C

- ▶ Terminated with L03-0.635mm pitch flat ribbon cable.
- ▶ Mating Suggestion : A07a & A62 series.



POSITION	A	B	C	D	E
10	5.08	24.50	11.43	19.10	36.50
14	7.62	27.04	13.97	21.64	39.04
16	8.89	28.31	15.24	22.91	40.31
20	11.43	30.85	17.78	25.45	42.85
26	15.24	34.66	21.59	29.26	46.66
30	17.78	37.20	24.13	31.80	49.20
34	20.32	39.74	26.67	34.34	51.74
40	24.13	43.55	30.48	38.15	55.55
50	30.48	49.90	36.83	44.50	61.90
60	36.83	56.25	43.18	50.85	68.25
68	41.91	61.33	48.26	55.93	73.33
70	43.18	62.60	49.53	57.20	74.60
80	49.53	68.95	55.88	63.55	80.95
90	55.88	75.30	62.23	69.90	87.30
100	62.23	81.65	68.58	76.25	93.65

ACCESSORIES	X	Y
LONG LATCH	24.17	10.73
SHORT LATCH	22.66	8.05



How to order: A69 - 1 - 2 - 3 - 4 - 5 - G(RoHS)

1.NO. OF CONTACT	2.CONTACT MATERIAL	3.CONTACT PLATING	4.SPECIAL FUNCTION	5.INSULATOR COLOR
10 14 16 20 26 30 34 40 50 60 68 70 80 90 100	B: PHOSPHOR BRONZE	T: TIN PLATED S: SELECTIVE G: GOLD FLASH A: 5u" INCH GOLD B: 10u" INCH GOLD C: 15u" INCH GOLD D: 30u" INCH GOLD	A: W LONG LATCH W EAR B: W SHORT LATCH W EAR C: W LONG LATCH W/O EAR D: W SHORT LATCH W/O EAR	1. BLACK