

A05c SHRUNK IDC SOCKET

PITCH: 2.0mm * 2.0mm

SPECIFICATIONS

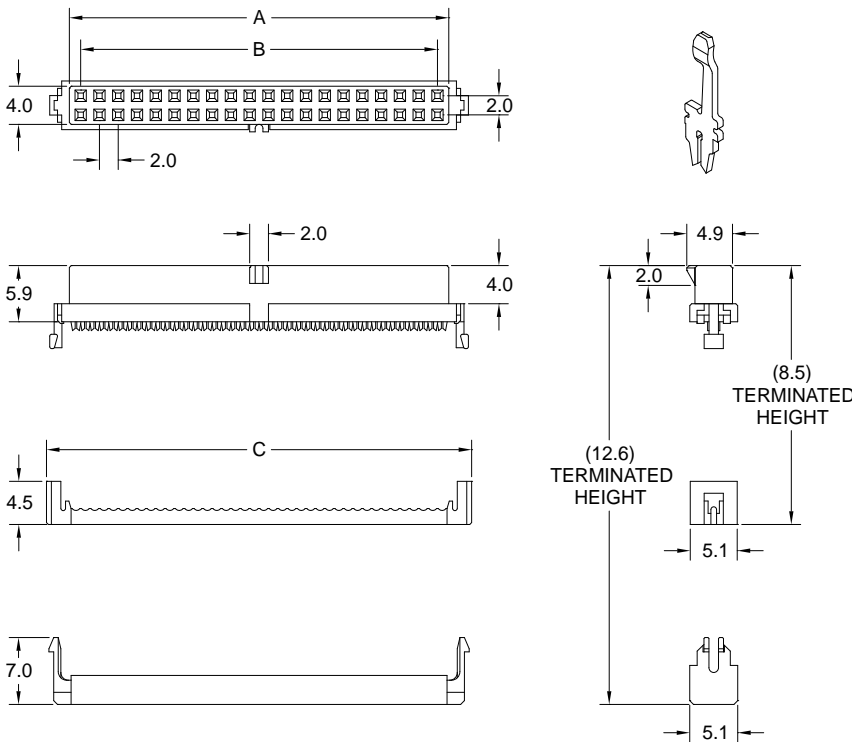
Material

Insulator : PBT, glass reinforced, rated UL 94V-0
 Contact : Phosphor Bronze

Electrical

Current Rating : 1 Amp
 Contact Resistance : 30 mΩ max.
 Insulation Resistance : 3000 MΩ min.
 Dielectric Withstanding Voltage : 500V AC for 1minute
 Operating Temperature : -40°C to +105°C

- ▶ Terminated with L02-1.00mm pitch flat ribbon cable.
- ▶ Mating Suggestion : C05h, C05i & C06f series.



| POSITION | A | B | C |
|----------|------|------|-------|
| 6 | 6.4 | 4.0 | 11.17 |
| 8 | 8.4 | 6.0 | 13.17 |
| 10 | 10.4 | 8.0 | 15.17 |
| 12 | 12.4 | 10.0 | 17.17 |
| 14 | 14.4 | 12.0 | 19.17 |
| 16 | 16.4 | 14.0 | 21.17 |
| 20 | 20.4 | 18.0 | 25.17 |
| 22 | 22.4 | 20.0 | 27.17 |
| 24 | 24.4 | 22.0 | 29.17 |
| 26 | 26.4 | 24.0 | 31.17 |
| 30 | 30.4 | 28.0 | 35.17 |
| 34 | 34.4 | 32.0 | 39.17 |
| 40 | 40.4 | 38.0 | 45.17 |
| 44 | 44.4 | 42.0 | 49.17 |
| 50 | 50.4 | 48.0 | 55.17 |
| 68 | 68.4 | 66.0 | 73.17 |

How to order: A05c - 1 - 2 - 3 - 4 - 5 - G(RoHS)

| 1.NO. OF CONTACT | 2.CONTACT MATERIAL | 3.CONTACT PLATING | 4.SPECIAL FUNCTION | 5.INSULATOR COLOR |
|---|--------------------|--|---|-------------------|
| 06 08 10 12 14 16 20 22 24 26 30 34 40 44 50 68 | B: PHOSPHOR BRONZE | T: TIN PLATED S: SELECTIVE G: GOLD FLASH A: 5u" INCH GOLD B: 10u" INCH GOLD C: 15u" INCH GOLD D: 30u" INCH GOLD | A: W STRAIN RELIEF W BAR B: W/O STRAIN RELIEF W BAR C: W STRAIN RELIEF W/O BAR D: W/O STRAIN RELIEF W/O BAR | 1. BLACK |



DON CONNEX
ELECTRONICS CO., LTD

T:886 2 86483356 | F:886 2 86485885
e-mail:info@donconnex.com.tw



Connector:E163339 | Flat cable:E162690
Wiring Harnesses:E312257