

A05e IDC SOCKET WITH BAR AND RAMP LOCKING

PITCH: 2.0mm * 2.0mm

SPECIFICATIONS

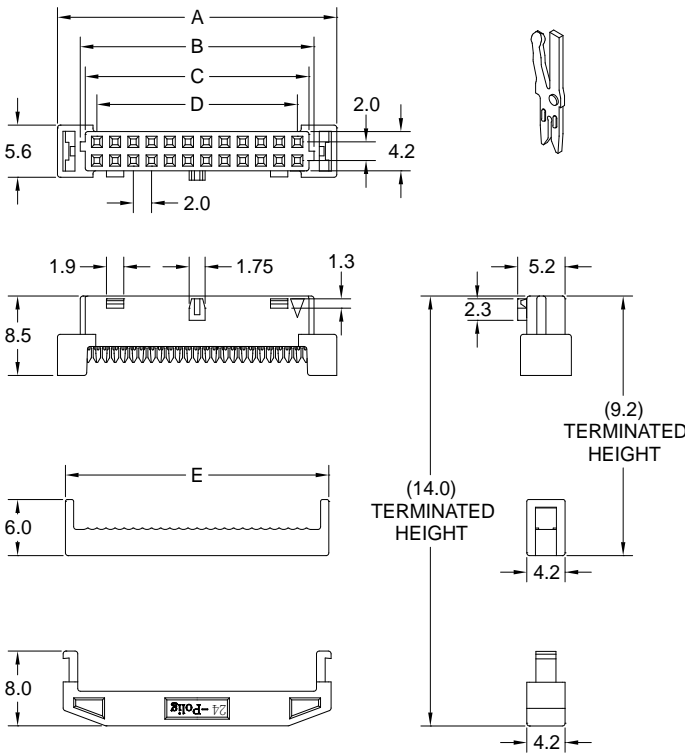
Material

Insulator : PBT, glass reinforced, rated UL 94V-0
 Contact : Phosphor Bronze

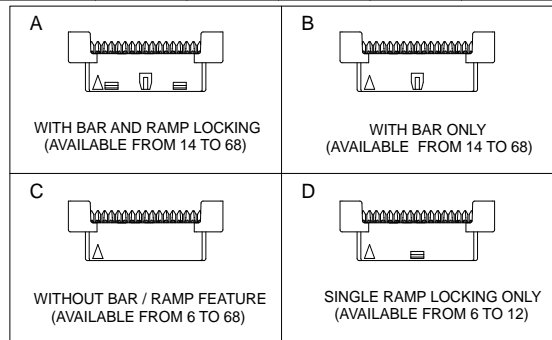
Electrical

Current Rating : 1 Amp
 Contact Resistance : 30 mΩ max.
 Insulation Resistance : 3000 MΩ min.
 Dielectric Withstanding Voltage : 500V AC for 1minute
 Operating Temperature : -40°C to +105°C

- ▶ Terminated with L02-1.00mm pitch flat ribbon cable.
- ▶ Mating Suggestion: A38c, C78, C79 & C80 series.



POSITION	A	B	C	D	E
6	12.65	7.65	6.55	4.00	10.90
8	14.65	9.65	8.55	6.00	12.90
10	16.65	11.65	10.55	8.00	14.90
12	18.65	13.65	12.55	10.00	16.90
14	20.65	15.65	14.55	12.00	18.90
16	22.65	17.65	16.55	14.00	20.90
20	26.65	21.65	20.55	18.00	24.90
22	28.65	23.65	22.55	20.00	26.90
24	30.65	25.65	24.55	22.00	28.90
26	32.65	27.65	26.55	24.00	30.90
30	36.65	31.65	30.55	28.00	34.90
34	40.65	35.65	34.55	32.00	38.90
40	46.65	41.65	40.55	38.00	44.90
44	50.65	45.65	44.55	42.00	48.90
50	56.65	51.65	50.55	48.00	54.90
68	74.65	69.65	68.55	66.00	72.90



How to order: A05e - 1 - 2 - 3 - 4 - 5 - 6 - G(RoHS)

1.NO. OF CONTACT	2.CONTACT MATERIAL	3.CONTACT PLATING	4.SPECIAL FUNCTION	5.ACCESSORIES	6.INSULATOR COLOR
06 08 10 12 14 16 20 22 24 26 30 34 40 44 50 68	B: PHOSPHOR BRONZE	T: TIN PLATED S: SELECTIVE G: GOLD FLASH A: 5u" INCH GOLD B: 10u" INCH GOLD C: 15u" INCH GOLD D: 30u" INCH GOLD	A: W BAR W RAMP LOCKING B: W BAR ONLY C: W/O BAR W/O RAMP FEATURE D: W SINGLE RAMP LOCKING ONLY	A: W STRAIN RELIEF B: W/O STRAIN RELIEF	1. BLACK