

# A52d HALF PITCH DISCRETE WIRE COMPONENTS WITH METAL RETENTION LATCH

PITCH: 1.27mm \* 1.27mm

## SPECIFICATIONS

### Material

Insulator : LCP, glass reinforced, rated UL 94V-0

### Electrical

Current Rating : 1 Amp

Contact Resistance : 30 mΩ max.

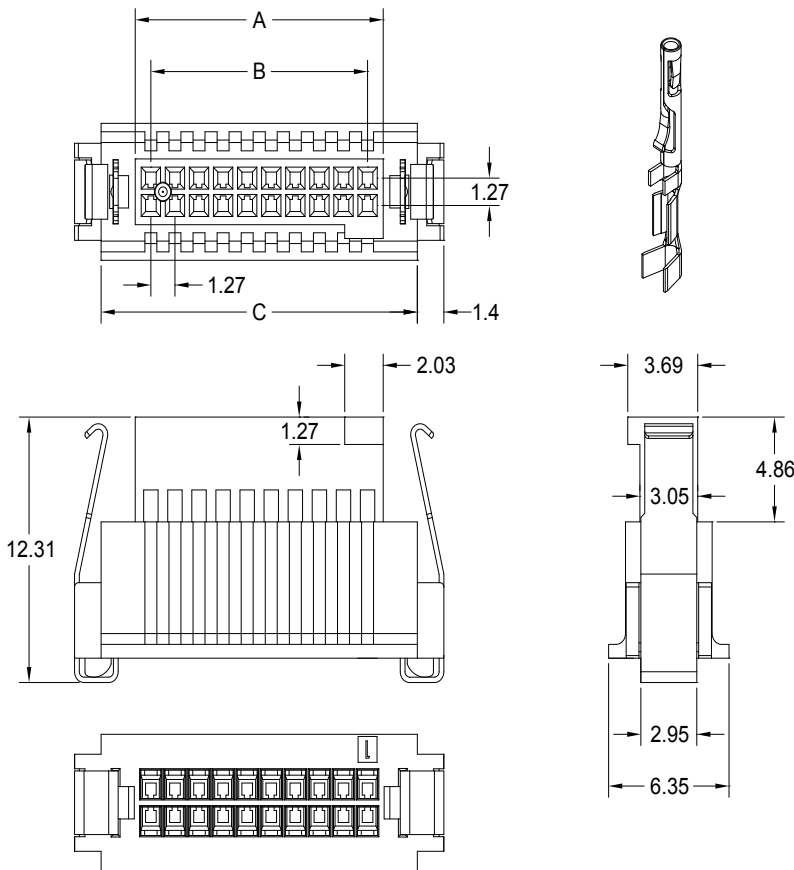
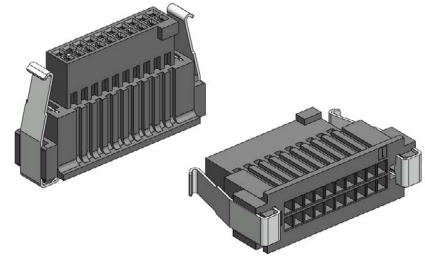
Insulation Resistance : 1000 MΩ min.

Dielectric Withstanding Voltage : 250V AC for 1minute

Operating Temperature : -40°C to +105°C

▶ Crimp Terminal Insertion : A52b series.

▶ Mating Suggestion : C110, C110a, & C110b series.



POSITION	A	B	C
8	5.46	3.81	9.06
10	6.73	5.08	10.33
12	8.00	6.35	11.60
14	9.27	7.62	12.87
16	10.54	8.89	14.14
20	13.08	11.43	16.68
22	14.35	12.70	17.95
24	15.62	13.97	19.22
26	16.89	15.24	20.49
30	19.43	17.78	23.03
34	21.97	20.32	25.57
40	25.78	24.13	29.38
44	28.32	26.67	31.92
50	32.13	30.48	35.73
60	38.48	36.83	42.08
64	41.02	39.37	44.62
68	43.56	41.91	47.16
80	51.18	49.53	54.78



**How to order:** A52d - 1 - 2 - G(RoHS)

1.NO. OF CONTACT	2.INSULATOR COLOR
08 10 12 14 16 20 22 24 26 30 34 40 44 50 60 64 68 80	1. BLACK



**DON CONNEX**  
ELECTRONICS CO., LTD

T:886 2 86483356 | F:886 2 86485885  
e-mail: info@donconnex.com.tw



Connector: E163339 | Flat cable: E162690  
Wiring Harnesses: E312257