

A62c WIRE TO BOARD CONNECTOR CRIMP TERMINAL FOR A62, A62a & A62b

PITCH: 1.27mm

SPECIFICATIONS

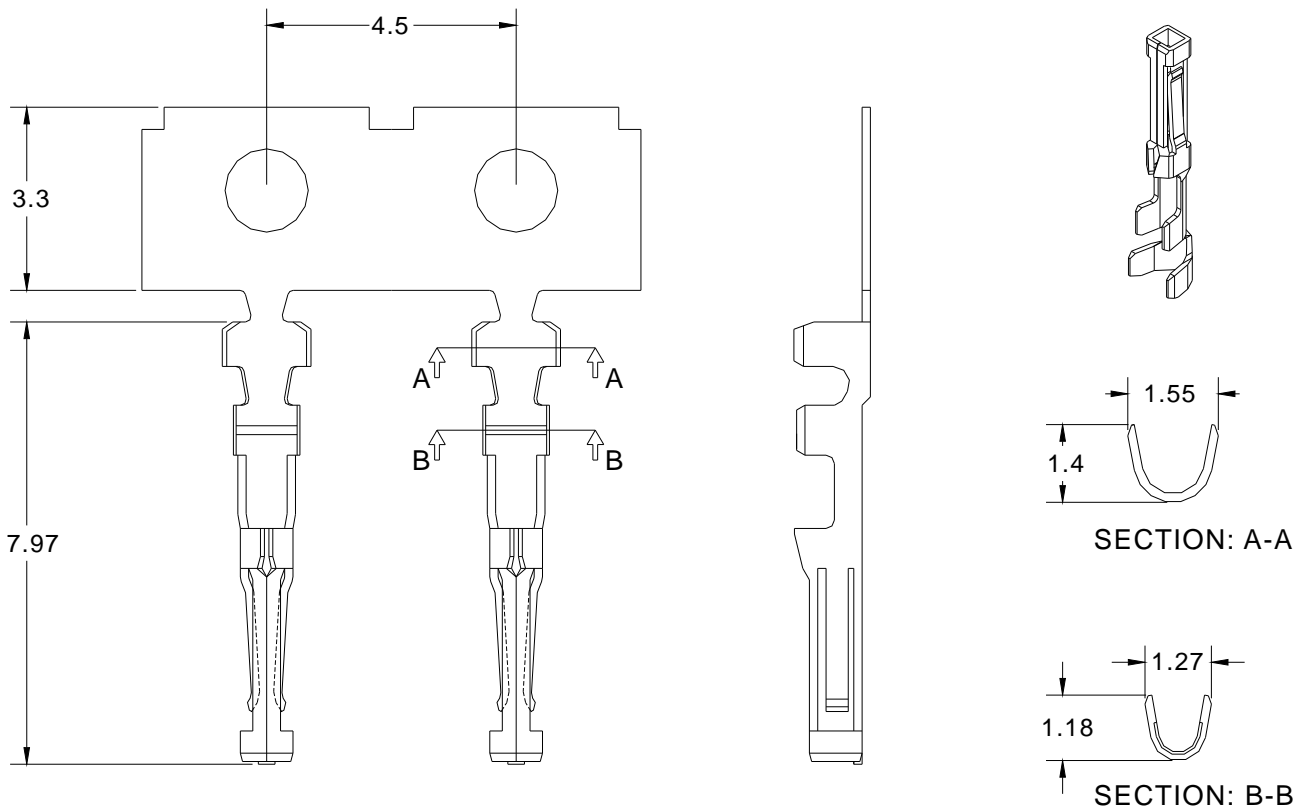
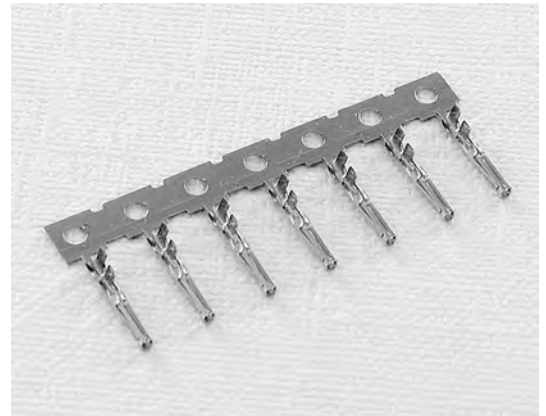
Material

Contact : Phosphor Bronze

► Wire Range : AWG#30 - 28

Insulation O.D. : 0.6 - 0.8mm (max.)

► Crimp Housing mating : A62, A62a & A62b series.



How to order: A62c - 1 - 2 - G(RoHS)

1.CONTACT MATERIAL	2.CONTACT PLATING
B: PHOSPHOR BRONZE	S: SELECTIVE