

A01a IDC SOCKET WITH SPRING LATCH

PITCH: 2.54mm * 2.54mm

SPECIFICATIONS

Material

Insulator : PBT, glass reinforced, rated UL 94V-0

Contact : Phosphor Bronze or Brass

Spring Latch: Nylon 66

Electrical

Current Rating : 1 Amp

Contact Resistance : 30 mΩ max.

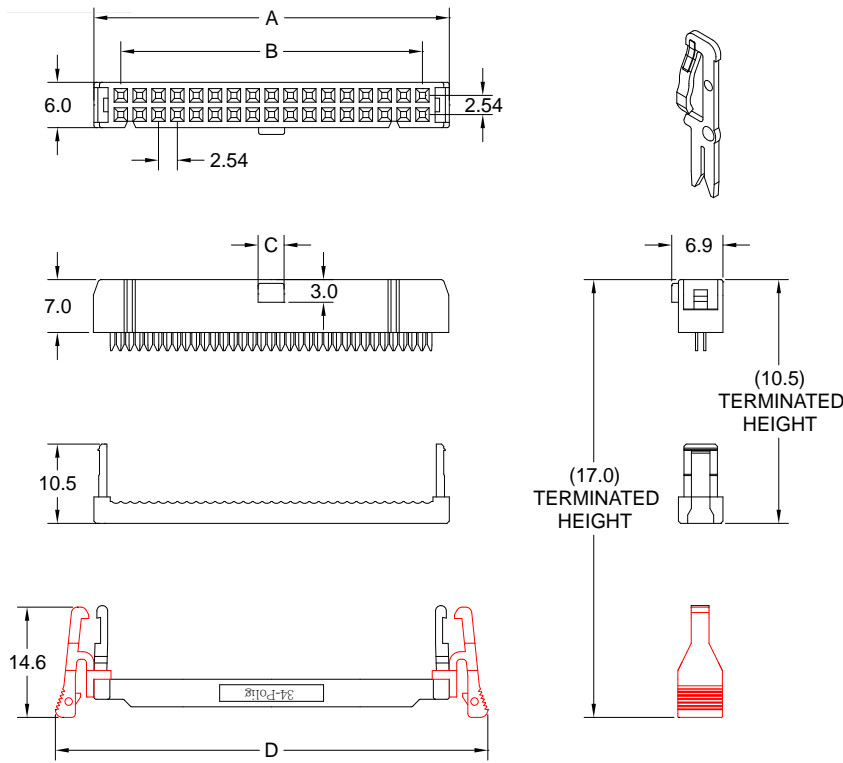
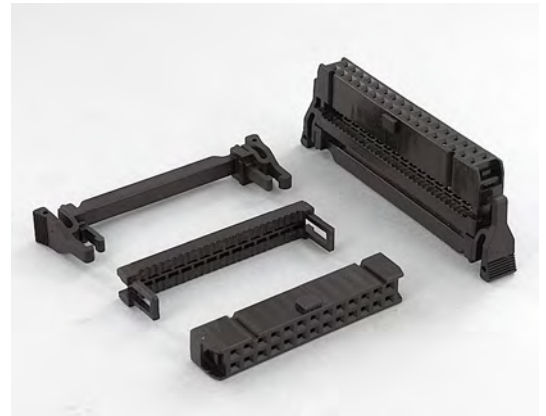
Insulation Resistance : 3000 MΩ min.

Dielectric Withstanding Voltage : 500V AC for 1minute

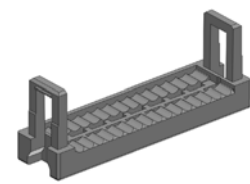
Operating Temperature : -40°C to +105°C

▶ Terminated with L01-1.27mm pitch flat ribbon cable.

▶ Mating Suggestion : C03, C03b, C04, C04c & C04d series.



POSITION	A	B	C	D
6	12.32	5.08	1.85	22.70
8	14.86	7.62	1.85	25.24
10	17.40	10.16	3.50	27.78
12	19.94	12.70	3.50	30.32
14	22.48	15.24	3.50	32.86
16	25.02	17.78	3.50	35.40
20	30.10	22.86	3.50	40.48
24	35.18	27.94	3.50	45.56
26	37.72	30.48	3.50	48.10
30	42.80	35.56	3.50	53.18
34	47.88	40.64	3.50	58.26
36	50.42	43.18	3.50	60.80
40	55.50	48.26	3.50	65.88
44	60.58	53.34	3.50	70.96
50	68.20	60.96	3.50	78.58
56	75.82	68.58	3.50	86.20
60	80.90	73.66	3.50	91.28
62	83.44	76.20	3.50	93.82
64	85.98	78.74	3.50	96.36



CLOSE END COVER

How to order: A01a - 1 - 2 - 3 - 4 - 5 - G(RoHS)

1.NO. OF CONTACT	2.CONTACT MATERIAL	3.CONTACT PLATING	4.SPECIAL FUNCTION	5.INSULATOR COLOR
06 08 10 12 14 16 20 24 26 30 34 36 40 44 50 56 60 62 64	A: BRASS B: PHOSPHOR BRONZE	T: TIN PLATED S: SELECTIVE G: GOLD FLASH A: 5u" INCH GOLD B: 10u" INCH GOLD C: 15u" INCH GOLD D: 30u" INCH GOLD	A: W BAR B: W/O BAR	1. BLACK

