

A03a IDC SOCKET (DUAL WIPE CONTACT)

PITCH: 2.54mm * 2.54mm

SPECIFICATIONS

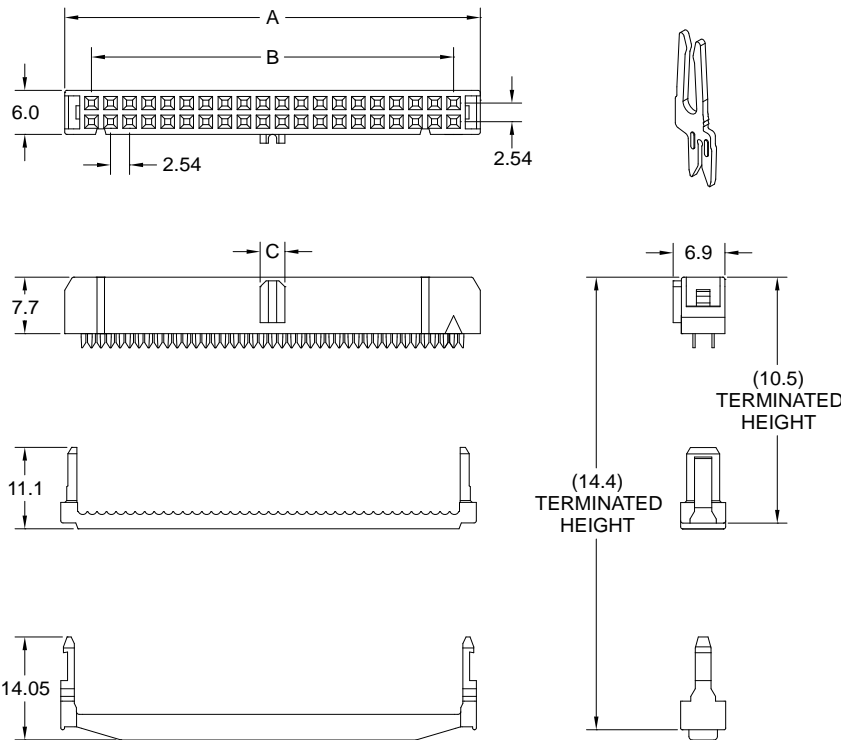
Material

Insulator : PBT, glass reinforced, rated UL 94V-0
 Contact : Phosphor Bronze or Brass

Electrical

Current Rating : 1 Amp
 Contact Resistance : 30 mΩ max.
 Insulation Resistance : 3000 MΩ min.
 Dielectric Withstanding Voltage : 500V AC for 1minute
 Operating Temperature : -40°C to +105°C

- ▶ Terminated with L01-1.27mm pitch flat ribbon cable.
- ▶ Mating Suggestion : C01b, C01f, C02c, C02d & C89b series.



POSITION	A	B	C
6	12.20	5.08	1.85
8	14.74	7.62	1.85
10	17.28	10.16	3.30
12	19.82	12.70	3.30
14	22.36	15.24	3.30
16	24.90	17.78	3.30
20	29.98	22.86	3.30
24	35.06	27.94	3.30
26	37.60	30.48	3.30
30	42.68	35.56	3.30
34	47.76	40.64	3.30
36	50.30	43.18	3.30
40	55.38	48.26	3.30
44	60.46	53.34	3.30
50	68.08	60.96	3.30
60	80.78	73.66	3.30
64	85.86	78.74	3.30



How to order: A03a - 1 - 2 - 3 - 4 - 5 - G(RoHS)

1.NO. OF CONTACT	2.CONTACT MATERIAL	3.CONTACT PLATING	4.SPECIAL FUNCTION	5.INSULATOR COLOR
06 08 10 12 14 16 20 24 26 30 34 36 40 44 50 60 64	A: BRASS B: PHOSPHOR BRONZE	T: TIN PLATED S: SELECTIVE G: GOLD FLASH A: 5u" INCH GOLD B: 10u" INCH GOLD C: 15u" INCH GOLD D: 30u" INCH GOLD	A: W STRAIN RELIEF W BAR B: W/O STRAIN RELIEF W BAR C: W STRAIN RELIEF W/O BAR D: W/O STRAIN RELIEF W/O BAR	1. BLACK 2. GREY