

# A03c IDC SOCKET WITH SPRING LATCH

**PITCH: 2.54mm \* 2.54mm**

## SPECIFICATIONS

### Material

Insulator : PBT, glass reinforced, rated UL 94V-0

Contact : Phosphor Bronze or Brass

Spring Latch: Nylon 66

### Electrical

Current Rating : 1 Amp

Contact Resistance : 30 mΩ max.

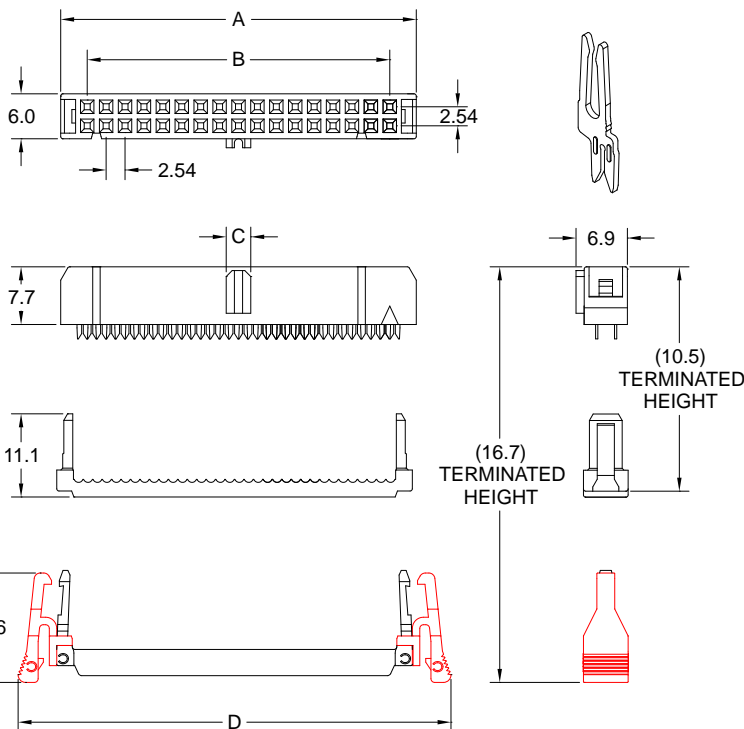
Insulation Resistance : 3000 MΩ min.

Dielectric Withstanding Voltage : 500V AC for 1minute

Operating Temperature : -40°C to +105°C

▶ Terminated with L01-1.27mm pitch flat ribbon cable.

▶ Mating Suggestion: C03, C03b, C04, C04c & C04d series.



POSITION	A	B	C	D
6	12.20	5.08	1.85	22.58
8	14.74	7.62	1.85	25.12
10	17.28	10.16	3.30	27.66
12	19.82	12.70	3.30	30.20
14	22.36	15.24	3.30	32.74
16	24.90	17.78	3.30	35.28
20	29.98	22.86	3.30	40.36
24	35.06	27.94	3.30	45.44
26	37.60	30.48	3.30	47.98
30	42.68	35.56	3.30	53.06
34	47.76	40.64	3.30	58.14
36	50.30	43.18	3.30	60.68
40	55.38	48.26	3.30	65.76
44	60.46	53.34	3.30	70.84
50	68.08	60.96	3.30	78.46
60	80.78	73.66	3.30	91.16
64	85.86	78.74	3.30	96.24

**How to order:** A03c - 1 - 2 - 3 - 4 - 5 - G(RoHS)

1.NO. OF CONTACT	2.CONTACT MATERIAL	3.CONTACT PLATING	4.SPECIAL FUNCTION	5.INSULATOR COLOR
06 08 10 12 14 16 20 24 26 30 34 36 40 44 50 60 64	A: BRASS B: PHOSPHOR BRONZE	T: TIN PLATED S: SELECTIVE G: GOLD FLASH A: 5u" INCH GOLD B: 10u" INCH GOLD C: 15u" INCH GOLD D: 30u" INCH GOLD	A: W BAR B: W/O BAR	1. BLACK



**DON CONNEX**  
ELECTRONICS CO., LTD

T:886 2 86483356 | F:886 2 86485885  
e-mail:info@donconnex.com.tw



Connector:E163339 | Flat cable:E162690  
Wiring Harnesses:E312257