

A08 EDGE CARD IDC TYPE

PITCH: 2.54mm

SPECIFICATIONS

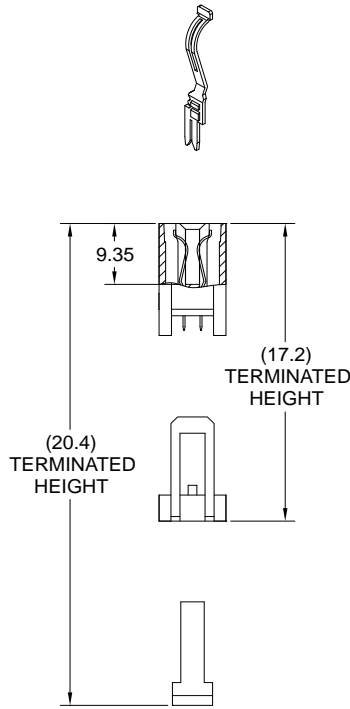
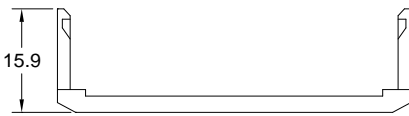
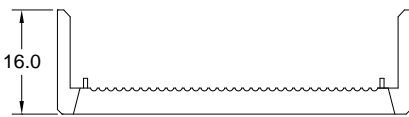
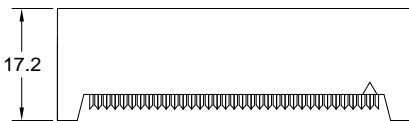
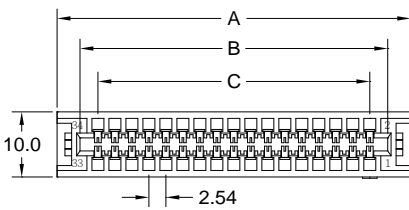
Material

Insulator : PBT, glass reinforced, rated UL 94V-0
 Contact : Phosphor Bronze or Brass

Electrical

Current Rating : 1 Amp
 Contact Resistance : 30 mΩ max.
 Insulation Resistance : 3000 MΩ min.
 Dielectric Withstanding Voltage : 500V AC for 1minute
 Operating Temperature : -40°C to +105°C

► Terminated with L01-1.27mm pitch flat ribbon cable.



POSITION	A	B	C
10	22.36	15.50	10.16
14	27.44	20.58	15.24
16	29.98	23.12	17.78
20	35.06	28.20	22.86
26	42.68	35.82	30.48
34	52.84	45.98	40.64
40	60.46	53.60	48.26
44	65.54	58.68	53.34
50	73.16	66.30	60.96
56	80.78	73.92	68.58
60	85.86	79.00	73.66
62	88.40	81.54	76.20
64	90.94	84.08	78.74

How to order: A08 - 1 - 2 - 3 - 4 - 5 - G(RoHS)

1.NO. OF CONTACT	2.CONTACT MATERIAL	3.CONTACT PLATING	4.SPECIAL FUNCTION	5.INSULATOR COLOR
10 14 16 20 26 34 40 44 50 56 60 62 64	A: BRASS B: PHOSPHOR BRONZE	T: TIN PLATED S: SELECTIVE G: GOLD FLASH A: 5u" INCH GOLD B: 10u" INCH GOLD C: 15u" INCH GOLD D: 30u" INCH GOLD	A: W STRAIN RELIEF W PLUGGED KEY B: W/O STRAIN RELIEF W PLUGGED KEY C: W STRAIN RELIEF W/O PLUGGED KEY D: W/O STRAIN RELIEF W/O PLUGGED KEY	1. BLACK 2. GREY