

A09 EDGE CARD IDC TYPE WITH MOUNTING EAR

PITCH: 2.54mm

SPECIFICATIONS

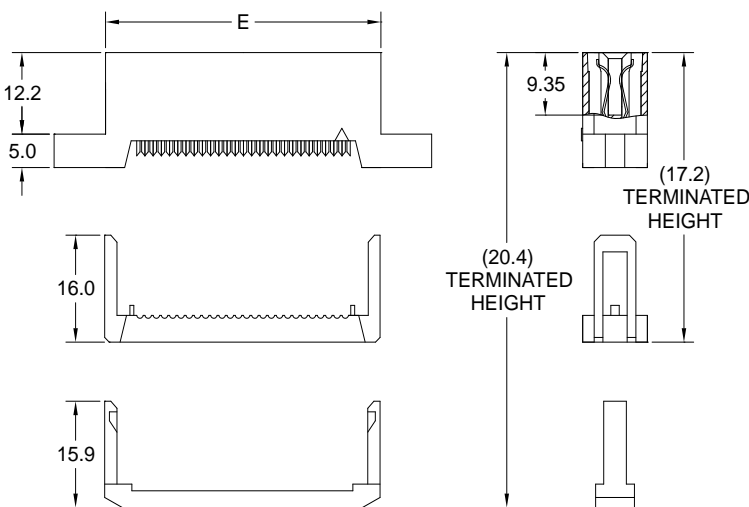
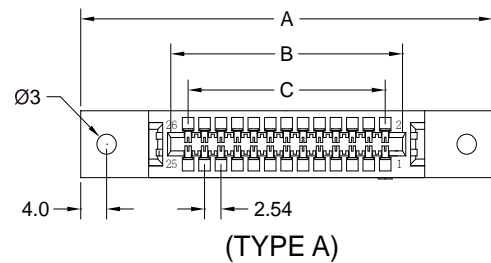
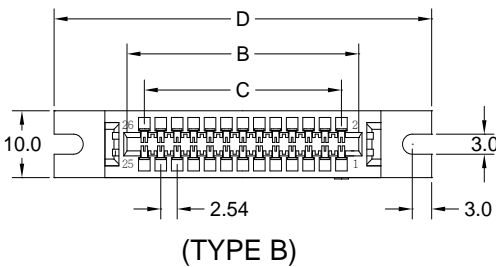
Material

Insulator : PBT, glass reinforced, rated UL 94V-0
 Contact : Phosphor Bronze or Brass

Electrical

Current Rating : 1 Amp
 Contact Resistance : 30 mΩ max.
 Insulation Resistance : 3000 MΩ min.
 Dielectric Withstanding Voltage : 500V AC for 1minute
 Operating Temperature : -40°C to +105°C

► Terminated with L01-1.27mm pitch flat ribbon cable.



POSITION	A	B	C	D	E
10	43.06	15.50	10.16	38.06	22.36
14	48.14	20.58	15.24	43.14	27.44
16	50.68	23.12	17.78	45.68	29.98
20	55.76	28.20	22.86	50.76	35.06
26	63.38	35.82	30.48	58.38	42.68
34	73.54	45.98	40.64	68.54	52.84
40	81.16	53.60	48.26	76.16	60.46
50	93.86	66.30	60.96	88.86	73.16
60	106.56	79.00	73.66	101.10	85.86
62	109.10	81.54	76.20	104.10	88.40
64	111.64	84.08	78.74	106.64	90.94

How to order: A09 - 1 - 2 - 3 - 4 - 5 - 6 - G(RoHS)

1.NO. OF CONTACT	2.CONTACT MATERIAL	3.CONTACT PLATING	4.SPECIAL FUNCTION	5.EAR TYPE	6.INSULATOR COLOR
10 14 16 20 26 34 40 50 60 62 64	A: BRASS B: PHOSPHOR BRONZE	T: TIN PLATED S: SELECTIVE G: GOLD FLASH A: 5u" INCH GOLD B: 10u" INCH GOLD C: 15u" INCH GOLD D: 30u" INCH GOLD	A: W STRAIN RELIEF W PLUGGED KEY B: W/O STRAIN RELIEF W PLUGGED KEY C: W STRAIN RELIEF W/O PLUGGED KEY D: W/O STRAIN RELIEF W/O PLUGGED KEY	A: TYPE A B: TYPE B	1. BLACK



DON CONNEX
ELECTRONICS CO., LTD

T:886 2 86483356 | F:886 2 86485885
e-mail:info@donconnex.com.tw



Connector:E163339 | Flat cable:E162690
Wiring Harnesses:E312257