

# A09b HIGH RETENTION FORCE EDGE CARD IDC TYPE WITH RIGHT ANGLE MOUNTING EAR

**PITCH: 2.54mm**

## SPECIFICATIONS

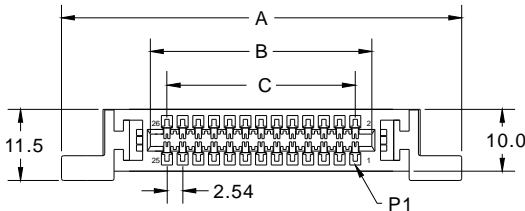
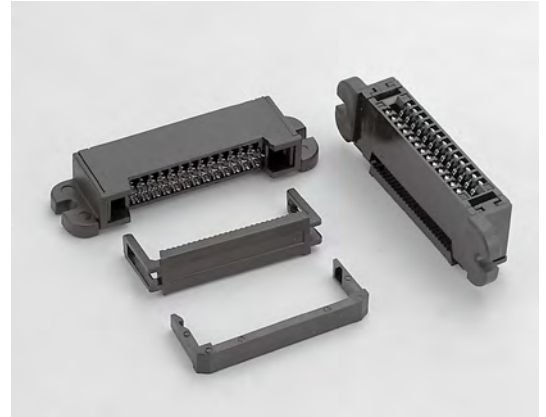
### Material

Insulator : PBT, glass reinforced, rated UL 94V-0  
 Contact : Phosphor Bronze or Brass

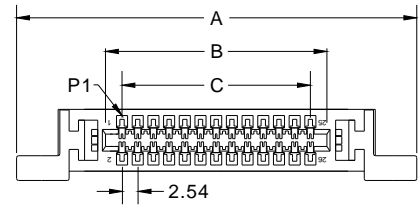
### Electrical

Current Rating : 1 Amp  
 Contact Resistance : 30 mΩ max.  
 Insulation Resistance : 3000 MΩ min.  
 Dielectric Withstanding Voltage : 500V AC for 1minute  
 Operating Temperature : -40°C to +105°C

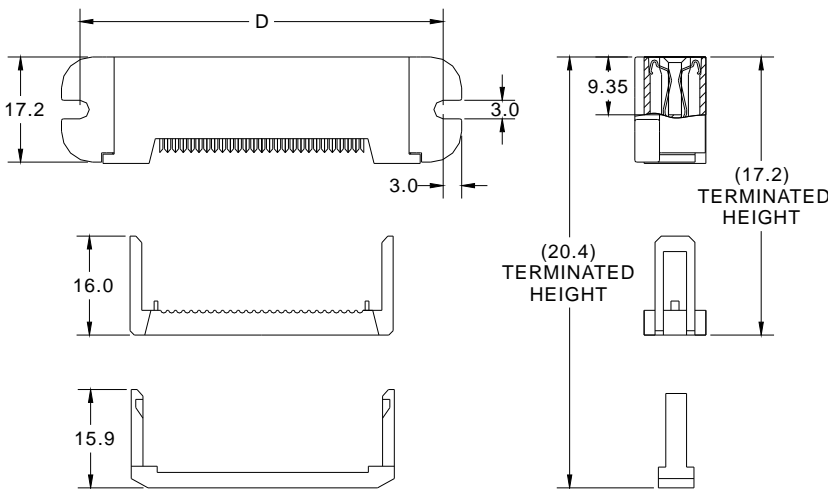
► Terminated with L01-1.27mm pitch flat ribbon cable.



(TYPE A)



(TYPE B)



POSITION	A	B	C	D
10	44.41	15.50	10.16	38.41
14	49.49	20.58	15.24	43.49
16	52.03	23.12	17.78	46.03
20	57.11	28.20	22.86	51.11
26	64.73	35.82	30.48	58.73
34	74.89	45.98	40.64	68.89
40	82.51	53.60	48.26	76.51
50	95.21	66.30	60.96	89.21
60	107.91	79.00	73.66	101.91
62	110.45	81.54	76.20	104.45
64	112.99	84.08	78.74	106.99

**How to order:** A09b - 1 - 2 - 3 - 4 - 5 - 6 - G(RoHS)

1.NO. OF CONTACT	2.CONTACT MATERIAL	3.CONTACT PLATING	4.SPECIAL FUNCTION	5.EAR TYPE	6.INSULATOR COLOR
10 14 16 20 26 34 40 50 60 62 64	A: BRASS B: PHOSPHOR BRONZE	T: TIN PLATED <b>S: SELECTIVE</b> G: GOLD FLASH A: 5u" INCH GOLD B: 10u" INCH GOLD C: 15u" INCH GOLD D: 30u" INCH GOLD	A: W STRAIN RELIEF W PLUGGED KEY B: W/O STRAIN RELIEF W PLUGGED KEY C: W STRAIN RELIEF W/O PLUGGED KEY D: W/O STRAIN RELIEF W/O PLUGGED KEY	A: TYPE A B: TYPE B	1. BLACK



**DON CONNEX**  
ELECTRONICS CO., LTD

T:886 2 86483356 | F:886 2 86485885  
e-mail: info@donconnex.com.tw

Connector:E163339 | Flat cable:E162690  
Wiring Harnesses:E312257