

# A12 LOW PROFILE DIP PLUG (.1" \* .1")

**PITCH: 2.54mm \* 2.54mm**

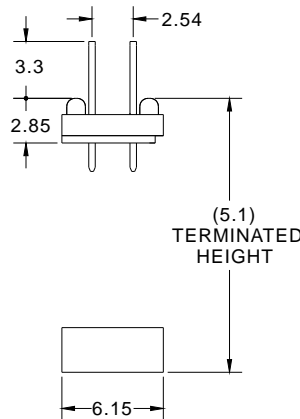
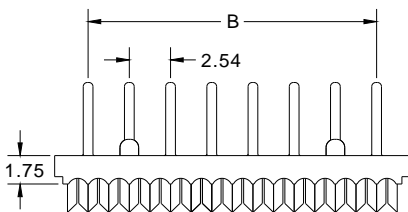
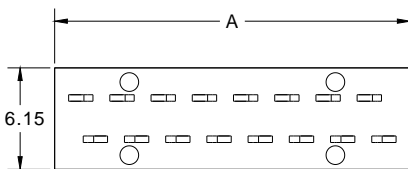
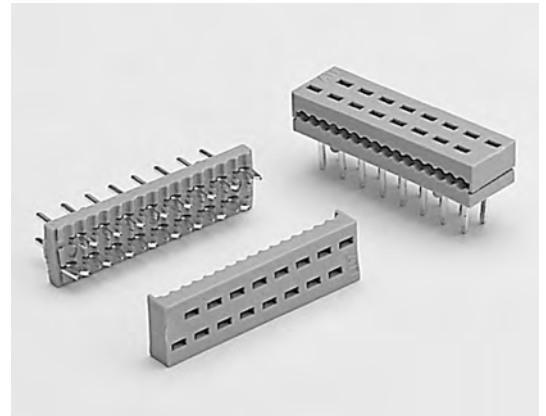
## SPECIFICATIONS

### Material

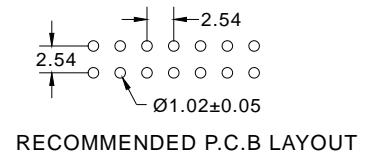
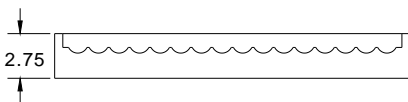
Insulator : PBT, glass reinforced, rated UL 94V-0  
 Contact : Phosphor Bronze

### Electrical

Current Rating : 1 Amp  
 Contact Resistance : 30 mΩ max.  
 Insulation Resistance : 3000 MΩ min.  
 Dielectric Withstanding Voltage : 500V AC for 1minute  
 Operating Temperature : -40°C to +105°C  
 ▶ Terminated with L01-1.27mm pitch flat ribbon cable.



POSITION	A	B
14	19.40	15.24
16	21.94	17.78



**How to order:** A12 - 1 - 2 - 3 - 4 - G(RoHS)

1.NO. OF CONTACT	2.CONTACT MATERIAL	3.CONTACT PLATING	4.INSULATOR COLOR
14 16	B: PHOSPHOR BRONZE	<b>T: TIN PLATED</b> S: SELECTIVE G: GOLD FLASH A: 5u" INCH GOLD B: 10u" INCH GOLD C: 15u" INCH GOLD D: 30u" INCH GOLD	1. BLACK

