

A14 DIP PLUG (.1" * .6")

PITCH: 2.54mm * 15.24mm

SPECIFICATIONS

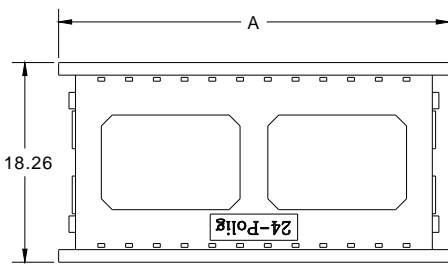
Material

Insulator : PBT, glass reinforced, rated UL 94V-0
 Contact : Phosphor Bronze

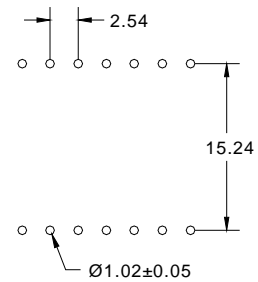
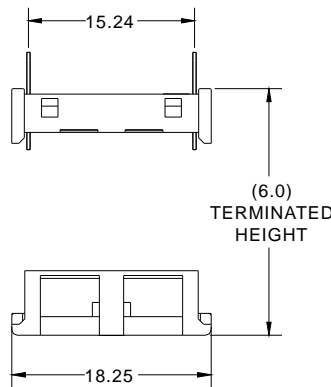
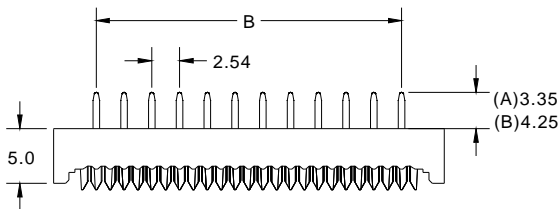
Electrical

Current Rating : 1 Amp
 Contact Resistance : 30 mΩ max.
 Insulation Resistance : 3000 MΩ min.
 Dielectric Withstanding Voltage : 500V AC for 1minute
 Operating Temperature : -40°C to +105°C

► Terminated with L01-1.27mm pitch flat ribbon cable.



POSITION	A	B
24	35.76	27.94
26	38.30	30.48
28	40.84	33.02
32	45.92	38.10
34	48.46	40.64
36	51.00	43.18
40	56.08	48.26



RECOMMENDED P.C.B. LAYOUT

How to order: A14 - 1 - 2 - 3 - 4 - 5 - G(RoHS)

1.NO. OF CONTACT	2.CONTACT MATERIAL	3.CONTACT PLATING	4.PIN LENGTH	5.INSULATOR COLOR
24 26 28 32 34 36 40	B: PHOSPHOR BRONZE	T: TIN PLATED S: SELECTIVE G: GOLD FLASH A: 5u" INCH GOLD B: 10u" INCH GOLD C: 15u" INCH GOLD D: 30u" INCH GOLD	A: 3.35mm B: 4.25mm	1. BLACK 2. GREY

