

A16a SHROUDED HEADER IDC TYPE WITH STEEL SWIN-LOCK

PITCH: 2.54mm * 2.54mm

SPECIFICATIONS

Material

Insulator : PBT, glass reinforced, rated UL 94V-0

Contact : Brass

Electrical

Current Rating : 1 Amp

Contact Resistance : 30 mΩ max.

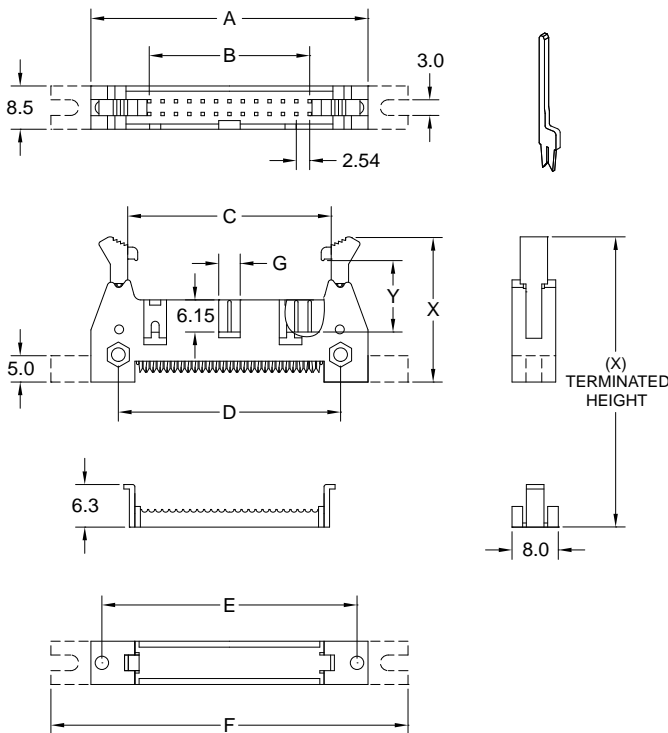
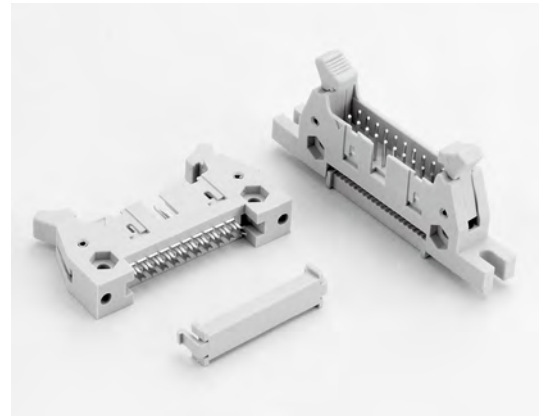
Insulation Resistance : 3000 MΩ min.

Dielectric Withstanding Voltage : 500V AC for 1minute

Operating Temperature : -40°C to +105°C

▶ Terminated with L01-1.27mm pitch flat ribbon cable.

▶ Mating Suggestion : A01, A03a & A35 series.



POSITION	A	B	C	D	E	F	G
06	26.90	5.08	12.86	16.75	22.84	42.10	2.5
08	29.44	7.62	15.40	19.29	25.38	44.64	2.5
10	31.98	10.16	17.94	21.83	27.92	47.18	4.1
14	37.06	15.24	23.02	26.91	33.00	52.26	4.1
16	39.60	17.75	25.56	29.45	35.54	54.80	4.1
20	44.68	22.86	30.64	34.53	40.62	59.88	4.1
24	49.76	27.94	35.72	39.61	45.70	64.96	4.1
26	52.30	30.48	38.26	42.15	48.24	67.50	4.1
30	57.38	35.56	43.34	47.23	53.32	72.58	4.1
34	62.46	40.64	48.42	52.31	58.40	77.66	4.1
40	70.08	48.26	56.04	59.93	66.02	85.28	4.1
50	82.78	60.96	68.74	72.63	78.72	97.98	4.1
60	95.48	73.66	81.44	85.33	91.42	110.68	4.1
64	100.56	78.74	86.52	90.41	96.50	115.76	4.1

ACCESSORIES	X	Y
LONG LATCH	29.2	14.6
SHORT LATCH	25.6	10.6

How to order: A16a - 1 - 2 - 3 - 4 - 5 - G(RoHS)

1.NO. OF CONTACT	2.CONTACT MATERIAL	3.CONTACT PLATING	4.SPECIAL FUNCTION	5.INSULATOR COLOR
06 08 10 14 16 20 24 26 30 34 40 50 60 64	A: BRASS	T: TIN PLATED S: SELECTIVE G: GOLD FLASH A: 5u" INCH GOLD B: 10u" INCH GOLD C: 15u" INCH GOLD D: 30u" INCH GOLD	A: W LONG LATCH W EAR B: W SHORT LATCH W EAR C: W LONG LATCH W/O EAR D: W SHORT LATCH W/O EAR	2. GREY

