

A18 CENTRONIC IDC TYPE 36 PIN MALE

PITCH: 2.16mm

SPECIFICATIONS

Material

Insulator : PBT, glass reinforced, rated UL 94V-0

Contact : Phosphor Bronze

Shell: Steel

Electrical

Current Rating : 1 Amp

Contact Resistance : 30 mΩ max.

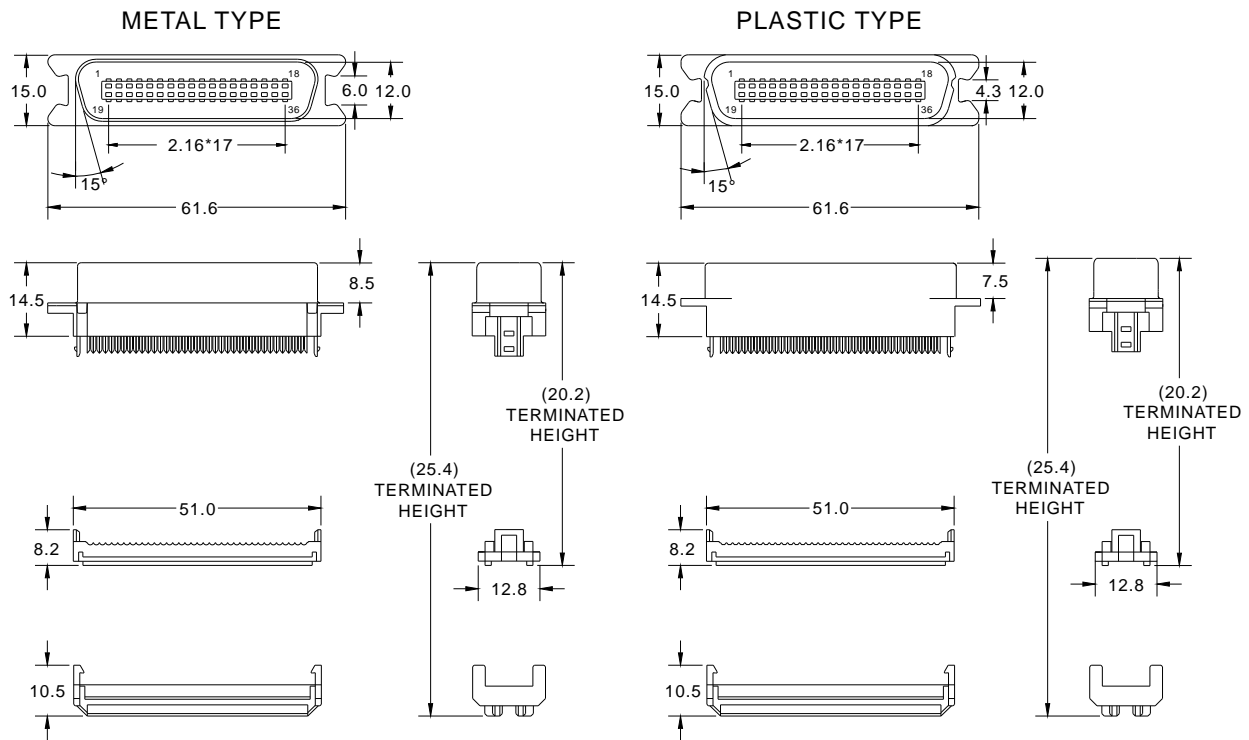
Insulation Resistance : 3000 MΩ min.

Dielectric Withstanding Voltage : 500V AC for 1minute

Operating Temperature : -40°C to +105°C

▶ Terminated with L01-1.27mm pitch flat ribbon cable.

▶ Mating Suggestion: A19 series



How to order: A18 - 1 - 2 - 3 - 4 - 5 - 6 - 7 - G(RoHS)

1.NO. OF CONTACT	2.CONTACT TYPE	3. CONTACT MATERIAL	4.CONTACT PLATING
36	M: MALE	B: PHOSPHOR BRONZE	T: TIN PLATED S: SELECTIVE
5.SHELL	6.ACCESSORIES	7.INSULATOR COLOR	G: GOLD FLASH A: 5u" INCH GOLD B: 10u" INCH GOLD C: 15u" INCH GOLD D: 30u" INCH GOLD
A: ALL PLASTIC B: METAL	A: W STRAIN RELIEF B: W/O STRAIN RELIEF	3. BLUE	