

A18b CENTRONIC IDC TYPE 24 PIN MALE

PITCH: 2.16mm

SPECIFICATIONS

Material

Insulator : PBT, glass reinforced, rated UL 94V-0

Contact : Phosphor Bronze

Shell: Steel

Electrical

Current Rating : 1 Amp

Contact Resistance : 30 mΩ max.

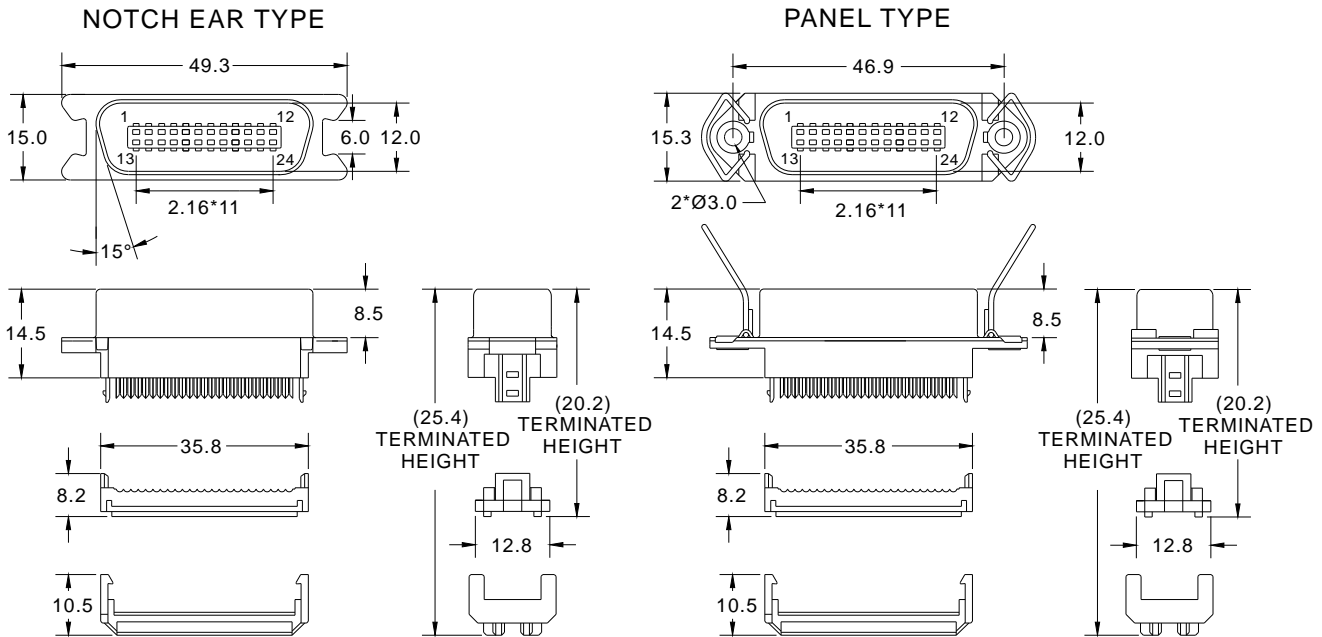
Insulation Resistance : 3000 MΩ min.

Dielectric Withstanding Voltage : 500V AC for 1minute

Operating Temperature : -40°C to +105°C

▶ Terminated with L01-1.27mm pitch flat ribbon cable.

▶ Mating Suggestion: A19b series



How to order: A18b - 1 - 2 - 3 - 4 - 5 - 6 - 7 - 8 - G(RoHS)

1.NO. OF CONTACT	2.CONTACT TYPE	3. CONTACT MATERIAL		4.CONTACT PLATING
24	M: MALE (PANEL TYPE) A: MALE (WITH NOTCH EAR)	B: PHOSPHOR BRONZE		T: TIN PLATED S: SELECTIVE G: GOLD FLASH A: 5u" INCH GOLD B: 10u" INCH GOLD C: 15u" INCH GOLD D: 30u" INCH GOLD
5.SHELL	6.MOUNTING METHOD	7.ACCESSORIES	8.INSULATOR COLOR	
B: METAL	A: THROUGH HOLE B: THREAD INSERT 4-40 UNC C: THREAD INSERT M3 D: NO OPTION	A: W STRAIN RELIEF W LATCH B: W/O STRAIN RELIEF W LATCH C: W STRAIN RELIEF W/O LATCH D: W/O STRAIN RELIEF W/O LATCH	3. BLUE	



DON CONNEX
ELECTRONICS CO., LTD

T:886 2 86483356 | F:886 2 86485885
e-mail:info@donconnex.com.tw



Connector:E163339 | Flat cable:E162690
Wiring Harnesses:E312257