

# A22 CENTRONIC IDC TYPE 50 PIN MALE (WITH LATCH)

**PITCH: 2.16mm**

## SPECIFICATIONS

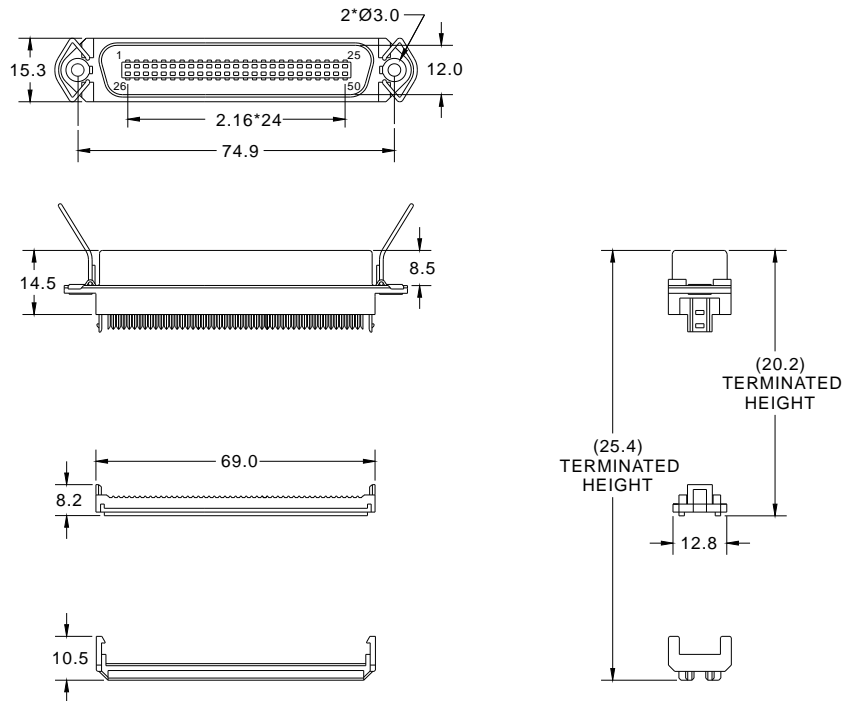
### Material

Insulator : PBT, glass reinforced, rated UL 94V-0  
 Contact : Phosphor Bronze  
 Shell: Steel

### Electrical

Current Rating : 1 Amp  
 Contact Resistance : 30 mΩ max.  
 Insulation Resistance : 3000 MΩ min.  
 Dielectric Withstanding Voltage : 500V AC for 1minute  
 Operating Temperature : -40°C to +105°C

- ▶ Terminated with L01-1.27mm pitch flat ribbon cable.
- ▶ Mating Suggestion: A21 series



**How to order:** A22 -  -  -  -  -  -  -  -  -  - G(RoHS)

1.NO. OF CONTACT	2.CONTACT TYPE	3. CONTACT MATERIAL		4.CONTACT PLATING
50	M: MALE	B: PHOSPHOR BRONZE		T: TIN PLATED S: SELECTIVE
5.SHELL	6.MOUNTING METHOD	7.ACCESSORIES	8.INSULATOR COLOR	G: GOLD FLASH A: 5u" INCH GOLD B: 10u" INCH GOLD C: 15u" INCH GOLD D: 30u" INCH GOLD
B: METAL	A: THROUGH HOLE B: THREAD INSERT 4-40 UNC C: THREAD INSERT M3	A: W STRAIN RELIEF W LATCH B: W/O STRAIN RELIEF W LATCH C: W STRAIN RELIEF W/O LATCH D: W/O STRAIN RELIEF W/O LATCH	3. BLUE	



**DON CONNEX**  
ELECTRONICS CO., LTD

T:886 2 86483356 | F:886 2 86485885  
e-mail: info@donconnex.com.tw



Connector: E163339 | Flat cable: E162690  
Wiring Harnesses: E312257