

A23h DIN 41612 IDC TYPE MALE TRIPLE ROW (A+B+C)

PITCH: 2.54mm * 2.54mm

SPECIFICATIONS

Material

Insulator : PBT, glass reinforced, rated UL 94V-0

Contact : Phosphor Bronze

Electrical

Current Rating : 1 Amp

Contact Resistance : 30 mΩ max.

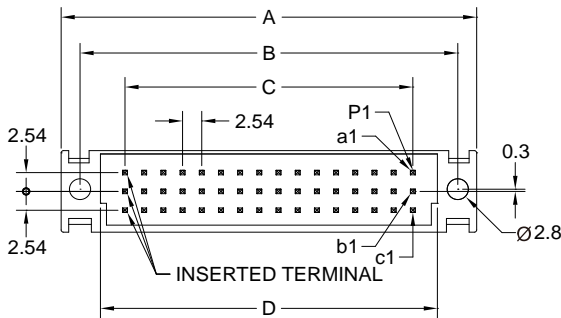
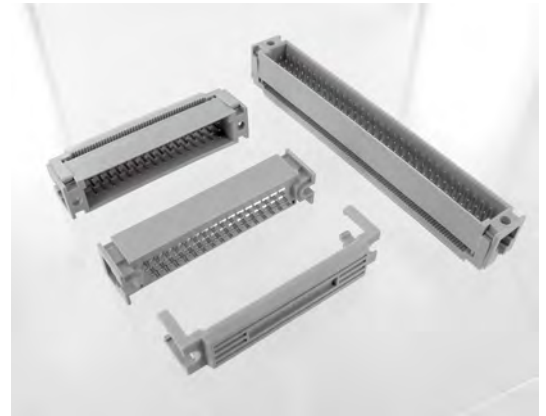
Insulation Resistance : 3000 MΩ min.

Dielectric Withstanding Voltage : 500V AC for 1minute

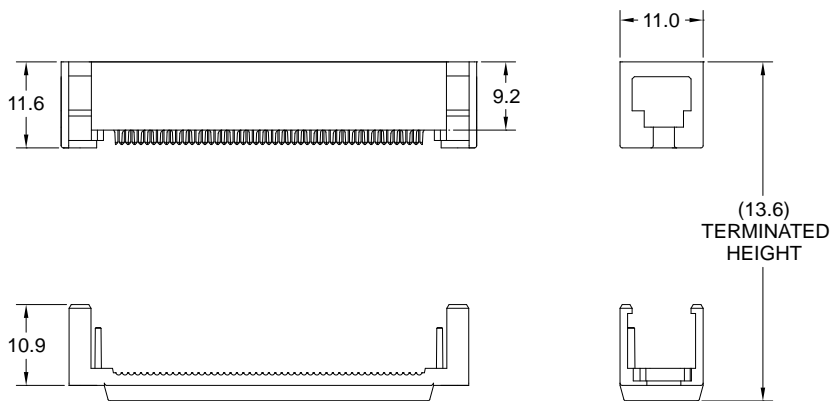
Operating Temperature : -40°C to +105°C

▶ Terminated with L05-0.85mm pitch flat ribbon cable.

▶ Mating Suggestion : A23c series.



POSITION	A	B	C	D
48(A+B+C)	55	50	38.10	44.6
96(A+B+C)	95	90	78.74	85.2



How to order: A23h - 1 - 2 - 3 - 4 - 5 - G(RoHS)

1.NO. OF CONTACT	2.CONTACT TYPE	3.CONTACT MATERIAL	4.CONTACT PLATING	5.INSULATOR COLOR
48 96	M: MALE	B: PHOSPHOR BRONZE	T: TIN PLATED S: SELECTIVE G: GOLD FLASH A: 5u" INCH GOLD B: 10u" INCH GOLD C: 15u" INCH GOLD D: 30u" INCH GOLD	2. GREY