

A28h MINI-SIZE CONNECTOR CRIMP TERMINAL FOR A28g

PITCH: 2.54mm

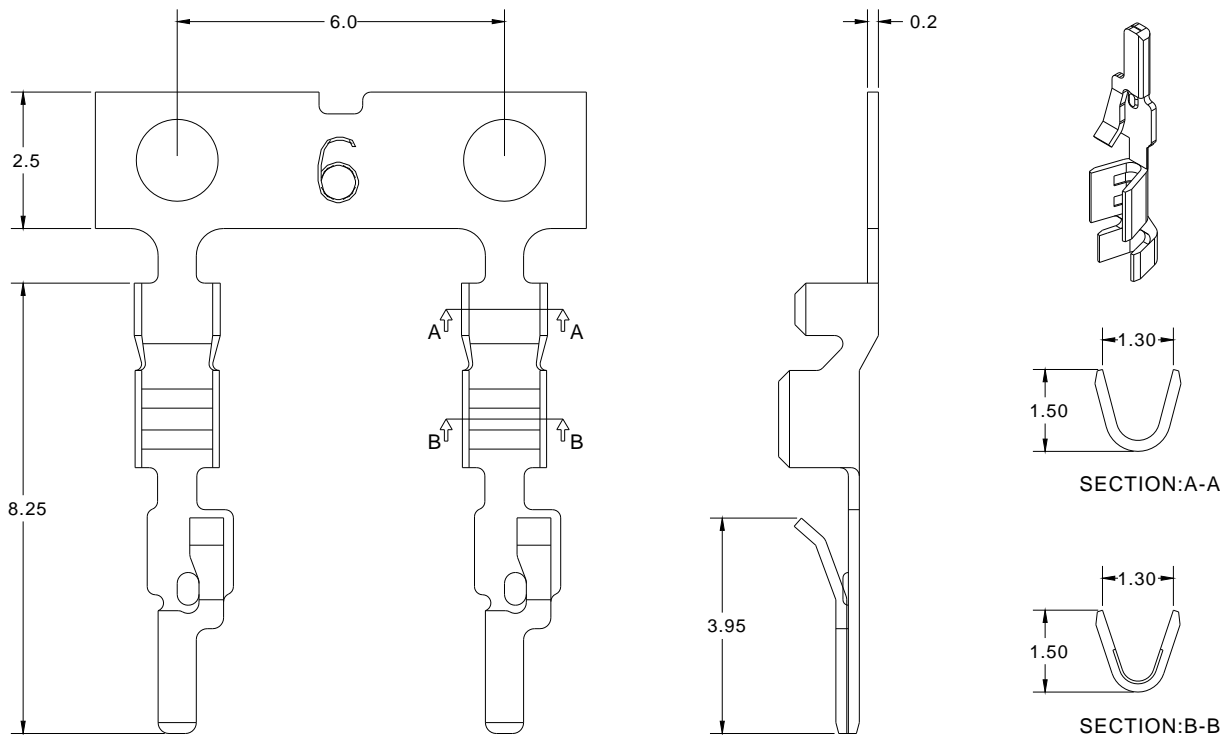
SPECIFICATIONS

Material

Contact : Phosphor Bronze

Electrical

- ▶ Wire Range: AWG#28 - 24 (Insulator O.D. 0.76~1.0mm)
AWG#24 - 20 (Insulator O.D. 1.27~1.52mm)
- ▶ Crimp Housing mating : A28g series.



How to order: A28h - 1 - 2 - 3 - G(RoHS)

1.CONTACT MATERIAL	2.CONTACT PLATING	3.WIRE RANGE
B: PHOSPHOR BRONZE	T: TIN PLATED	A: AWG 28~24 B: AWG 24~20



DON CONNEX
ELECTRONICS CO., LTD

T:886 2 86483356 | F:886 2 86485885
e-mail:info@donconnex.com.tw



Connector:E163339 | Flat cable:E162690
Wiring Harnesses:E312257