

A33a DONCO CONNECTOR DIP PLUG ON WIRE TYPE

PITCH: 2.54mm * 2.54mm

SPECIFICATIONS

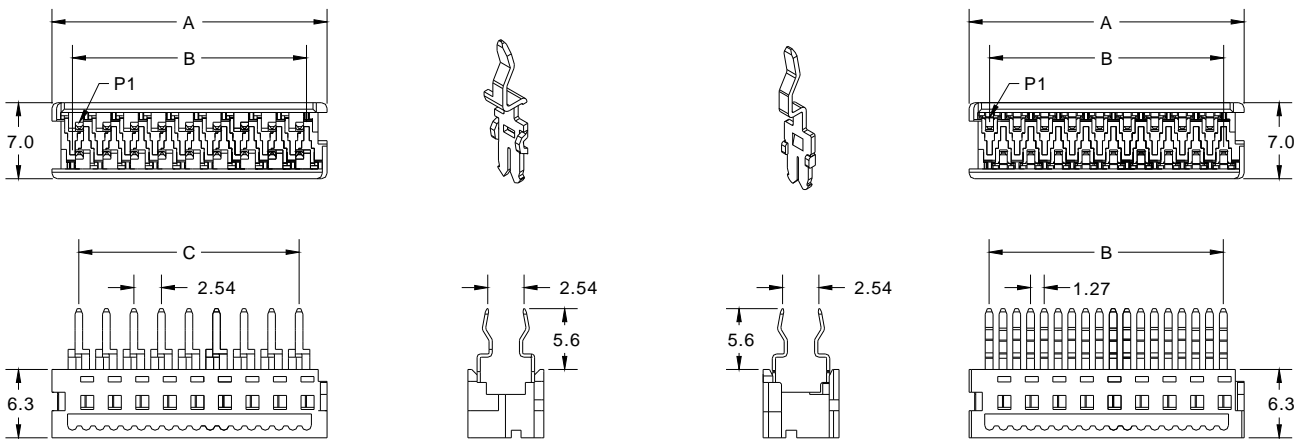
Material

Insulator : PBT, glass reinforced, rated UL 94V-0
 Contact : Phosphor Bronze

Electrical

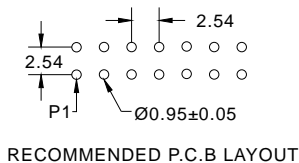
Current Rating : 1 Amp
 Contact Resistance : 30 mΩ max.
 Insulation Resistance : 3000 MΩ min.
 Dielectric Withstanding Voltage : 500V AC for 1minute
 Operating Temperature : -40°C to +105°C

► Terminated with L01-1.27mm pitch flat ribbon cable.

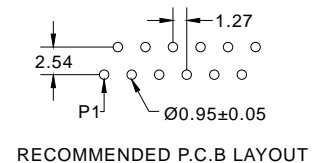


(TYPE A)

(TYPE B)



POSITION	A	B	C
4	7.59	3.81	2.54
6	10.13	6.35	5.08
8	12.67	8.89	7.62
10	15.21	11.43	10.16
12	17.78	13.97	12.70
14	20.39	16.51	15.24
16	22.83	19.05	17.78
18	25.37	21.59	20.32
20	27.91	24.13	22.86
22	30.45	26.67	25.40
24	32.99	29.21	27.94
26	35.53	31.75	30.48



How to order: A33a - 1 - 2 - 3 - 4 - 5 - G(RoHS)

1.NO. OF CONTACT	2.CONTACT MATERIAL	3.CONTACT PLATING	4.FOOT RANK TYPE	5.INSULATOR COLOR
04 06 08 10 12 14 16 18 20 22 24 26	B: PHOSPHOR BRONZE	T: TIN PLATED S: SELECTIVE G: GOLD FLASH A: 5u" INCH GOLD B: 10u" INCH GOLD C: 15u" INCH GOLD D: 30u" INCH GOLD	A: TYPE A B: TYPE B	5. WHITE