

A40d DISCRETE WIRE IDC SOCKET WITH EAR

PITCH: 2.54mm * 2.54mm

SPECIFICATIONS

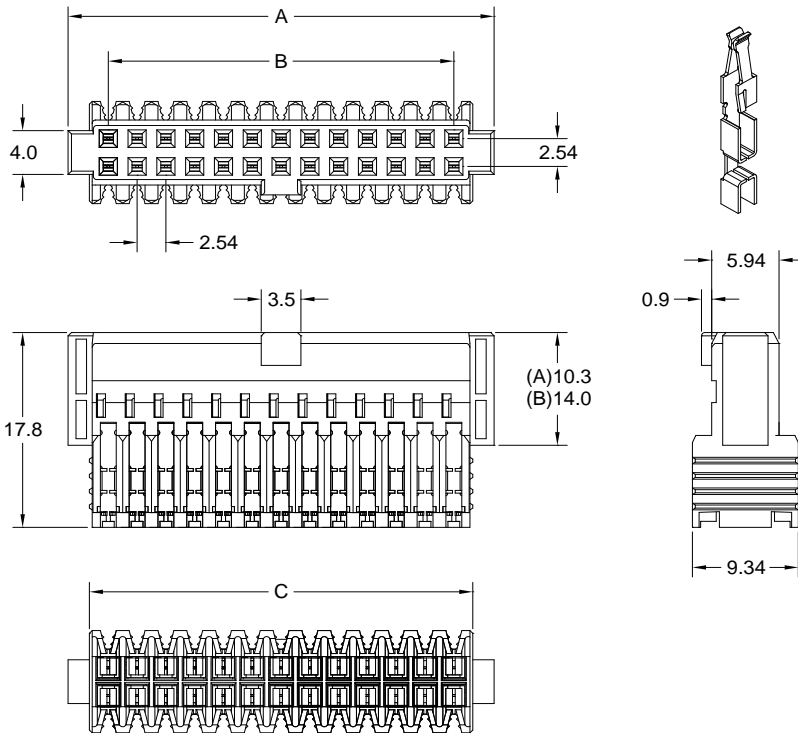
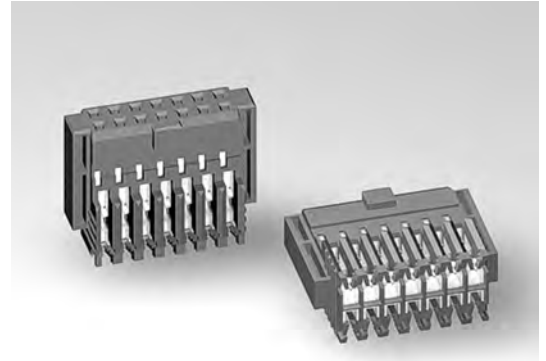
Material

Insulator : PBT, glass reinforced, rated UL 94V-0
 Contact : Phosphor Bronze

Electrical

Current Rating : 2 Amp
 Contact Resistance : 30 mΩ max.
 Insulation Resistance : 3000 MΩ min.
 Dielectric Withstanding Voltage : 500V AC for 1minute
 Operating Temperature : -40°C to +105°C

- ▶ Terminated with discrete wire #28AWG, #26AWG & #24AWG (Insulator O.D.: 0.9 to 1.2mm).
- ▶ Mating Suggestion : C01b, C01f, C02c, C02d & C89b series.



POSITION	A	B	C
6	12.18	5.08	8.42
8	14.72	7.62	10.96
10	17.26	10.16	13.50
12	19.80	12.70	16.04
14	22.34	15.24	18.58
16	24.88	17.78	21.12
20	29.96	22.86	26.20
24	35.04	27.94	31.28
26	37.58	30.48	33.82
30	42.66	35.56	38.90
34	47.74	40.64	43.98
36	50.28	43.18	46.52
40	55.36	48.26	51.60



How to order: A40d - 1 - 2 - 3 - 4 - 5 - 6 - G(RoHS)

1.NO. OF CONTACT	2.CONTACT MATERIAL	3.CONTACT PLATING	4.WIRE SIZE	5.EAR HEIGHT	6.INSULATOR COLOR
06 08 10 12 14 16 20 24 26 30 34 36 40	B: PHOSPHOR BRONZE	T: TIN PLATED S: SELECTIVE G: GOLD FLASH A: 5u" INCH GOLD B: 10u" INCH GOLD C: 15u" INCH GOLD D: 30u" INCH GOLD	A: 24AWG & 26AWG B: 28AWG	A: 10.3mm (MATE W SHORT LATCH HEADER) B: 14.0mm (MATE W LONG LATCH HEADER)	1. BLACK