

A49a DIP PLUG (.1" * .1") WITH STRAIN RELIEF WITH 0.64mm SQUARE TAIL

PITCH: 2.54mm * 2.54mm

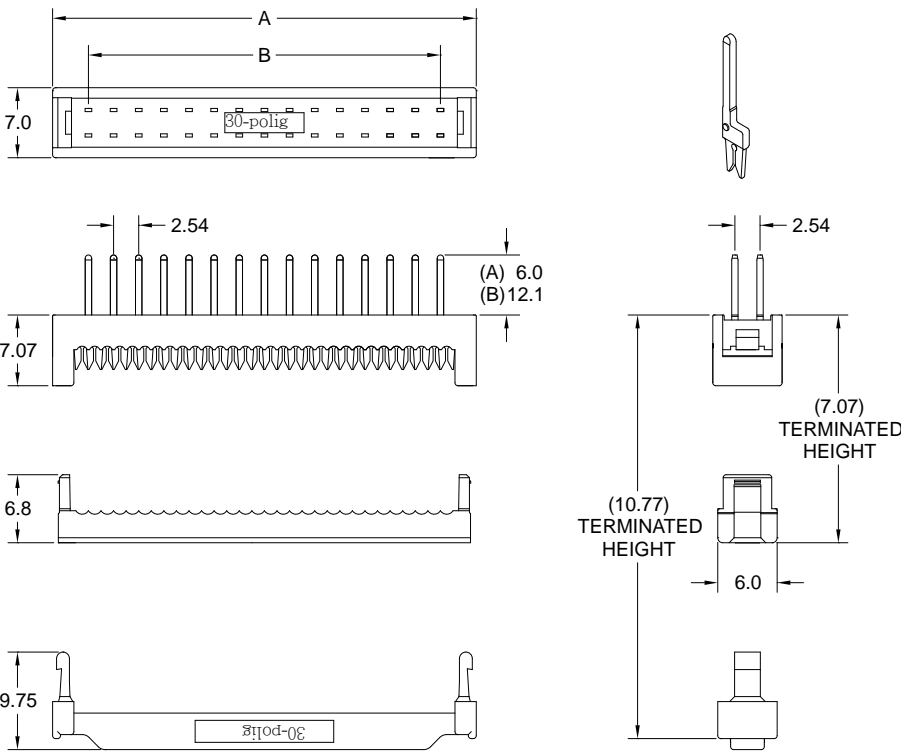
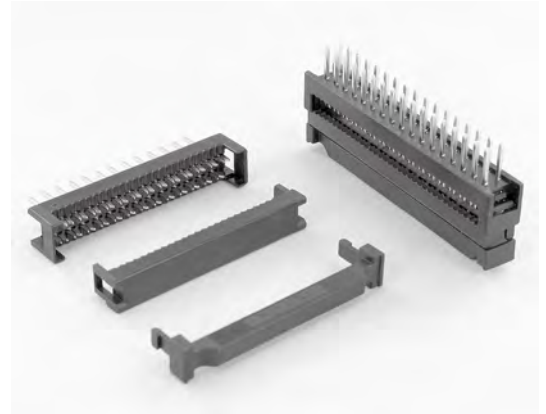
SPECIFICATIONS

Material

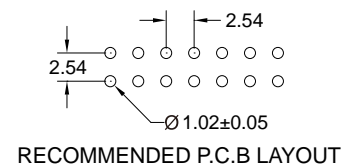
Insulator : PBT, glass reinforced, rated UL 94V-0
Contact : Brass

Electrical

Current Rating : 1 Amp
Contact Resistance : 30 mΩ max.
Insulation Resistance : 3000 MΩ min.
Dielectric Withstanding Voltage : 500V AC for 1minute
Operating Temperature : -40°C to +105°C
▶ Terminated with L01-1.27mm pitch flat ribbon cable.



POSITION	A	B
6	12.32	5.08
8	14.86	7.62
10	17.40	10.16
12	19.94	12.70
14	22.48	15.24
16	25.02	17.78
20	30.10	22.86
24	35.18	27.94
26	37.72	30.48
28	40.26	33.02
30	42.80	35.56
34	47.88	40.46
40	55.50	48.26
50	68.20	60.96
60	80.90	73.66
64	85.98	78.47



How to order: A49a - 1 - 2 - 3 - 4 - 5 - G(RoHS)

1.NO. OF CONTACT	2.CONTACT MATERIAL	3.CONTACT PLATING	4.PIN LENGTH	5.INSULATOR COLOR
06 08 10 12 14 16 20 24 26 28 30 34 40 50 60 64	A: BRASS	T: TIN PLATED S: SELECTIVE G: GOLD FLASH A: 5u" INCH GOLD B: 10u" INCH GOLD C: 15u" INCH GOLD D: 30u" INCH GOLD	A: 6.0mm B: 12.1mm	1. BLACK

