

A64a EDGE CARD CRIMP TERMINAL FOR A64

PITCH: 2.54mm

SPECIFICATIONS

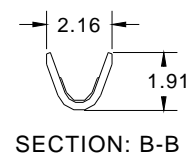
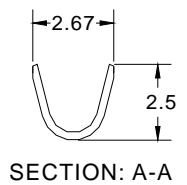
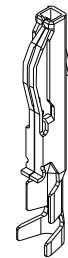
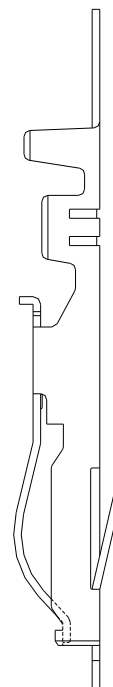
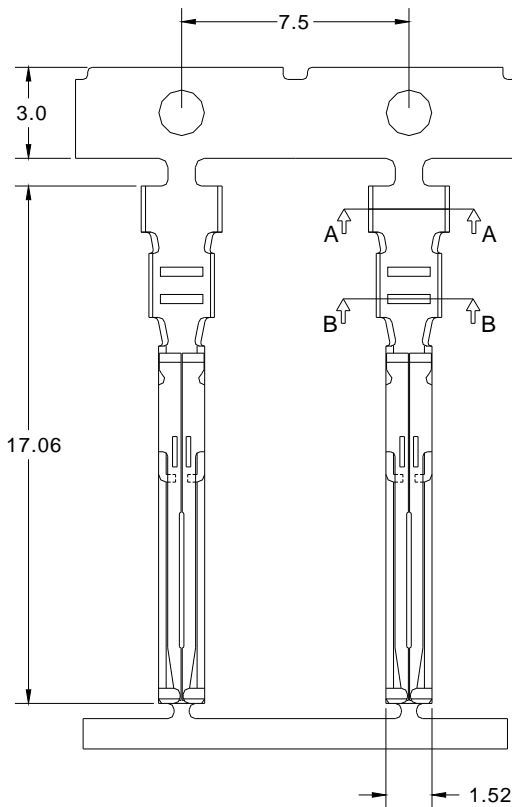
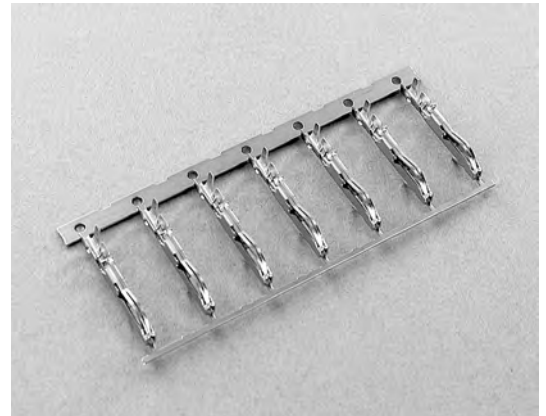
Material

Contact : Phosphor Bronze

► Wire Range : AWG#28 - 24

Insulation O.D.: 0.8 - 1.5mm

► Crimp Housing mating : A64 series.



How to order: A64a - 1 - 2 - G(RoHS)

1.CONTACT MATERIAL	2.CONTACT PLATING
B: PHOSPHOR BRONZE	T: TIN PLATED S: SELECTIVE G: GOLD FLASH A: 5u" INCH GOLD B: 10u" INCH GOLD C: 15u" INCH GOLD D: 30u" INCH GOLD