

C84 SHROUDED HEADER FOR HIGH CURRENT R/A

PITCH: 3.18mm * 3.18mm

SPECIFICATIONS

Material

Insulator : PBT, glass reinforced, rated UL 94V-0

Contact : Brass

Electrical

Current Rating : 3 Amp

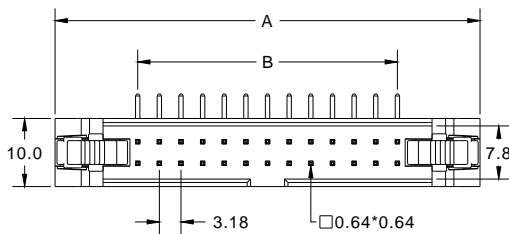
Contact Resistance : 15 mΩ max.

Insulation Resistance : 3000 MΩ min.

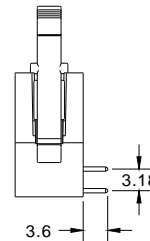
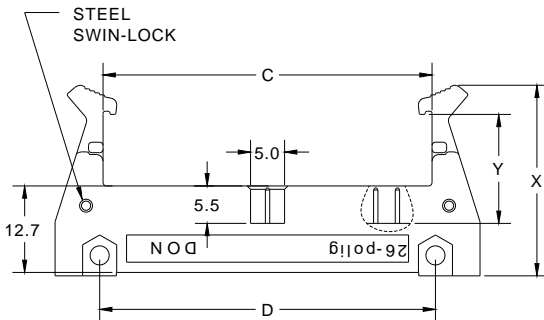
Dielectric Withstanding Voltage : 500V AC for 1minute

Operating Temperature : -40°C to +105°C

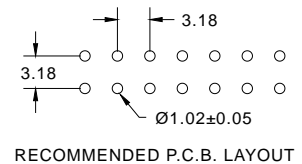
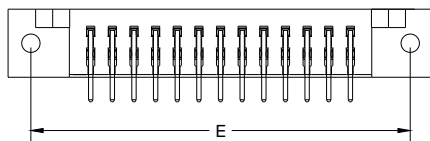
► Mating Suggestion: A45 series.



POSITION	A	B	C	D	E
10	37.00	12.72	22.90	23.90	30.30
14	43.36	19.08	29.26	30.26	36.66
16	46.54	22.26	32.44	33.44	39.84
20	52.90	28.62	38.80	39.80	46.20
26	62.44	38.16	48.34	49.34	55.74
34	75.16	50.88	61.06	62.06	68.46
40	84.70	60.42	70.60	71.60	78.00
50	100.60	76.32	86.50	87.50	93.90



ACCESSORIES	X	Y
LONG LATCH	28.0	16.3
SHORT LATCH	25.0	10.6



How to order: C84 - 1 - 2 - 3 - 4 - 5 - G(RoHS)

1.NO. OF CONTACT	2.CONTACT MATERIAL	3.CONTACT PLATING	4.ACCESSORIES	5.INSULATOR COLOR
10 14 16 20 26 34 40 50	A: BRASS	T: TIN PLATED S: SELECTIVE G: GOLD FLASH A: 5u" INCH GOLD B: 10u" INCH GOLD C: 15u" INCH GOLD D: 30u" INCH GOLD	A: LONG LATCH B: SHORT LATCH	1. BLACK

