

C60 FINE PITCH SHROUDED HEADER STR

PITCH: 1.27mm * 2.54mm

SPECIFICATIONS

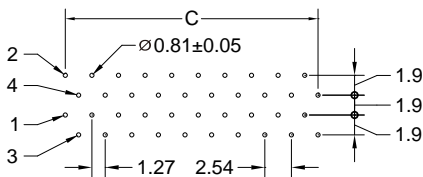
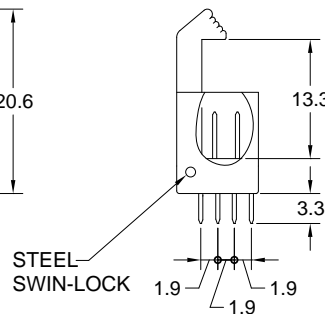
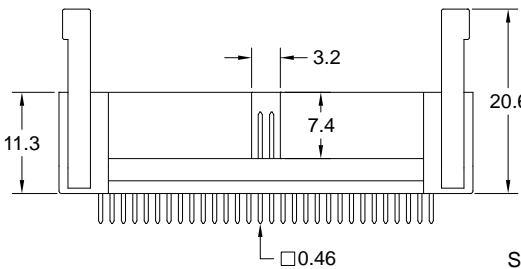
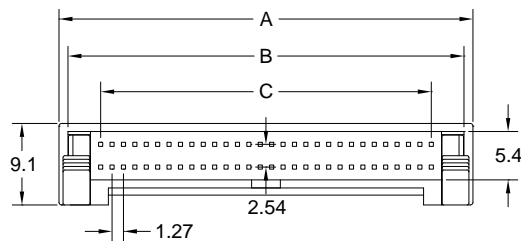
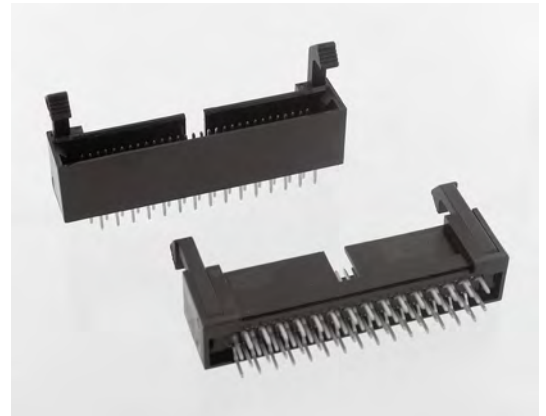
Material

Insulator : PBT, glass reinforced, rated UL 94V-0
 Contact : Phosphor Bronze

Electrical

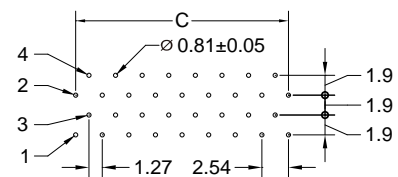
Current Rating : 1 Amp
 Contact Resistance : 30 mΩ max.
 Insulation Resistance : 1000 MΩ min.
 Dielectric Withstanding Voltage : 250V AC for 1minute
 Operating Temperature : -40°C to +105°C

► Mating Suggestion : A06a series.



P.C. BOARD LAYOUT FOR 20,40,60,68,80,100

POSITION	A	B	C
10	14.36	12.36	5.08
20	20.71	18.71	11.43
26	24.52	22.52	15.24
30	27.06	25.06	17.78
34	29.60	27.60	20.32
40	33.41	31.41	24.13
50	39.76	37.76	30.48
60	46.11	44.11	36.83
68	51.19	49.19	41.91
80	58.81	56.81	49.53
100	71.51	69.51	62.23



P.C. BOARD LAYOUT FOR 10,26,30,34,50

How to order: C60 - 1 - 2 - 3 - 4 - G(RoHS)

1.NO. OF CONTACT	2.CONTACT MATERIAL	3.CONTACT PLATING	4.INSULATOR COLOR
10 20 26 30 34 40 50 60 68 80 100	B: PHOSPHOR BRONZE	T: TIN PLATED S: SELECTIVE G: GOLD FLASH A: 5u" INCH GOLD B: 10u" INCH GOLD C: 15u" INCH GOLD D: 30u" INCH GOLD	1. BLACK

