

# C75 FINE PITCH EJECTOR HEADER R/A

**PITCH: 1.27mm \* 2.54mm**

## SPECIFICATIONS

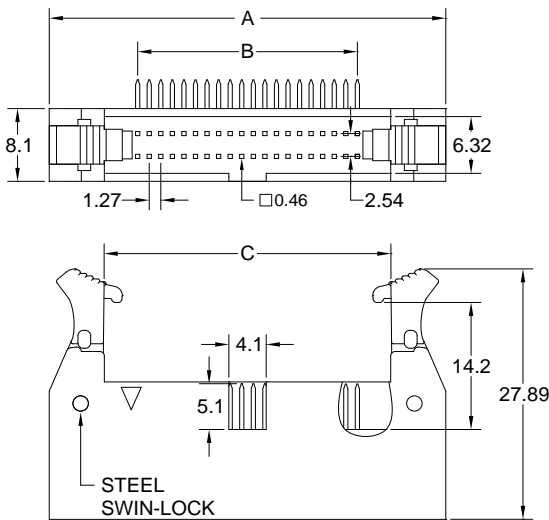
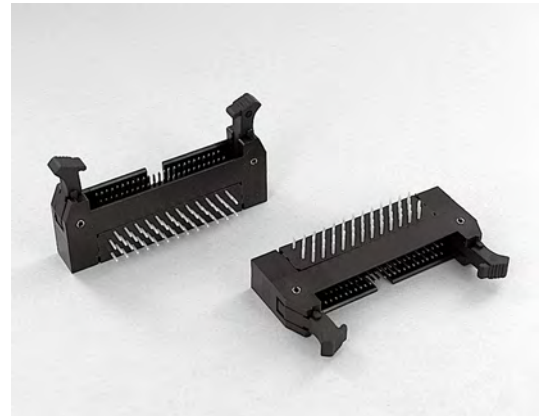
### Material

Insulator : PBT, glass reinforced, rated UL 94V-0  
 Contact : Phosphor Bronze

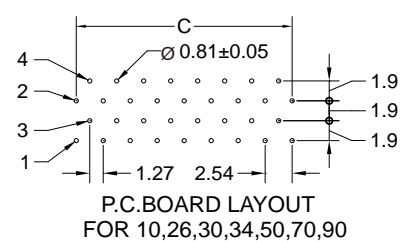
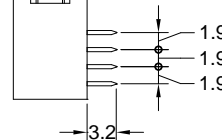
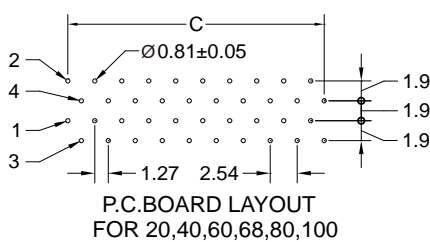
### Electrical

Current Rating : 1 Amp  
 Contact Resistance : 30 mΩ max.  
 Insulation Resistance : 1000 MΩ min.  
 Dielectric Withstanding Voltage : 250V AC for 1minute  
 Operating Temperature : -40°C to +105°C

► Mating Suggestion : A42 series.



POSITION	A	B	C
10	24.50	5.08	12.40
20	30.85	11.43	18.75
26	34.66	15.24	22.56
30	37.20	17.78	25.10
34	39.74	20.32	27.64
40	43.55	24.13	31.45
50	49.90	30.48	36.86
60	56.25	36.83	44.15
68	61.33	41.91	49.23
80	68.95	49.53	56.85
100	81.65	62.23	69.55



**How to order:** C75 - 1 - 2 - 3 - 4 - 5 - G(RoHS)

1.NO. OF CONTACT	2.CONTACT MATERIAL	3.CONTACT PLATING	4.ACCESSORIES	5.INSULATOR COLOR
10 20 26 30 34 40 50 60 68 80 100	B: PHOSPHOR BRONZE	T: TIN PLATED S: SELECTIVE G: GOLD FLASH A: 5u" INCH GOLD B: 10u" INCH GOLD C: 15u" INCH GOLD D: 30u" INCH GOLD	A: LONG LATCH	1. BLACK