

# C96a FINE PITCH SHROUDED HEADER R/A

**PITCH: 1.27mm \* 2.54mm**

## SPECIFICATIONS

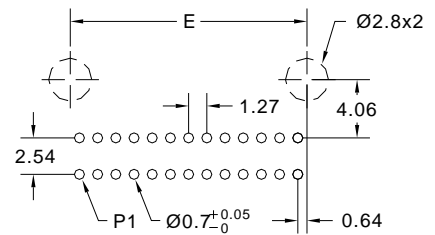
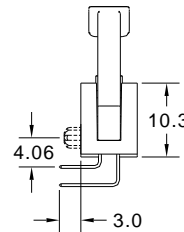
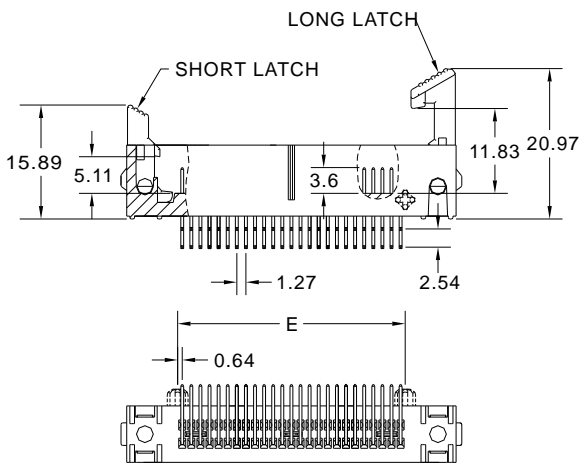
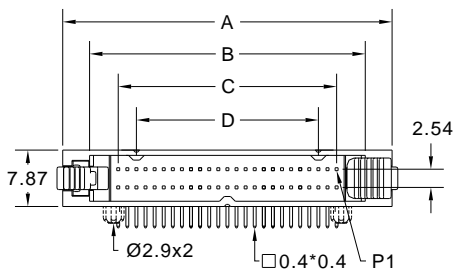
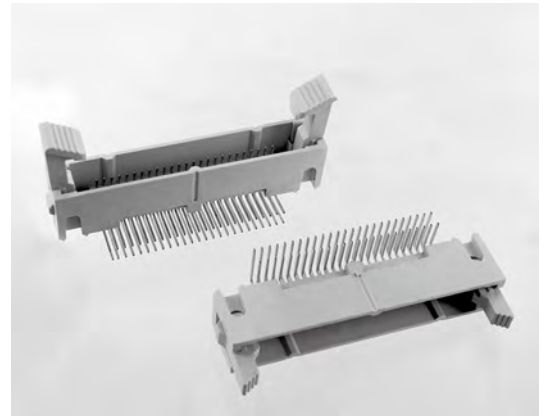
### Material

Insulator : LCP, glass reinforced, rated UL 94V-0  
 Contact : Phosphor Bronze

### Electrical

Current Rating : 1 Amp  
 Contact Resistance : 30 mΩ max.  
 Insulation Resistance : 1000 MΩ min.  
 Dielectric Withstanding Voltage : 250V AC for 1minute  
 Operating Temperature : -40°C to +105°C

► Mating Suggestion : A53 series.



RECOMMENDED P.C.B LAYOUT

| POSITION | A     | B     | C     | D     | E     |
|----------|-------|-------|-------|-------|-------|
| 10       | 20.57 | 13.08 | 5.08  | --    | --    |
| 20       | 26.92 | 19.43 | 11.43 | 6.35  | 12.71 |
| 26       | 30.73 | 23.24 | 15.24 | 10.16 | 16.52 |
| 30       | 33.27 | 25.78 | 17.78 | 12.70 | 19.06 |
| 34       | 35.81 | 28.32 | 20.32 | 15.24 | 21.60 |
| 36       | 37.08 | 29.59 | 21.59 | 16.51 | 22.87 |
| 40       | 39.62 | 32.13 | 24.13 | 19.05 | 25.41 |
| 50       | 45.97 | 38.48 | 30.48 | 25.40 | 31.76 |
| 60       | 52.32 | 44.83 | 36.83 | 31.75 | 38.11 |
| 68       | 57.40 | 49.91 | 41.91 | 36.83 | 43.19 |
| 80       | 65.02 | 57.53 | 49.53 | 44.45 | 50.81 |
| 100      | 77.72 | 70.23 | 62.23 | 57.15 | 63.51 |

**How to order:** C96a - 1 - 2 - 3 - 4 - 5 - 6 - G(RoHS)

| 1.NO. OF CONTACT                        | 2.CONTACT MATERIAL    | 3.CONTACT PLATING   | 4.ACCESSORIES                                       | 5. SPECIAL FUNCTION                               | 6.INSULATOR COLOR |
|---|-----------------------|---|---|---|-------------------|
| 10 20 26 30 34<br>40 50 60 68 80<br>100 | B: PHOSPHOR<br>BRONZE | T: TIN PLATED<br>S: SELECTIVE<br>G: GOLD FLASH<br>A: 5u" INCH GOLD<br>B: 10u" INCH GOLD<br>C: 15u" INCH GOLD<br>D: 30u" INCH GOLD | A: LONG LATCH<br>B: SHORT LATCH<br>C: W/O ANY LATCH | A: WITH LOCATING<br>PEG<br>B: W/O LOCATING<br>PEG | 9. IVORY          |

