

# C96b FINE PITCH SHROUDED HEADER SMT

**PITCH: 1.27mm \* 2.54mm**

## SPECIFICATIONS

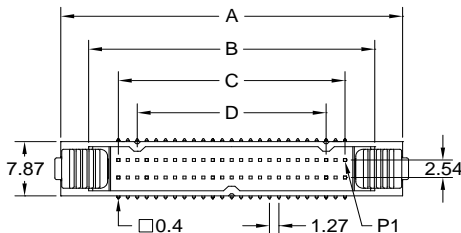
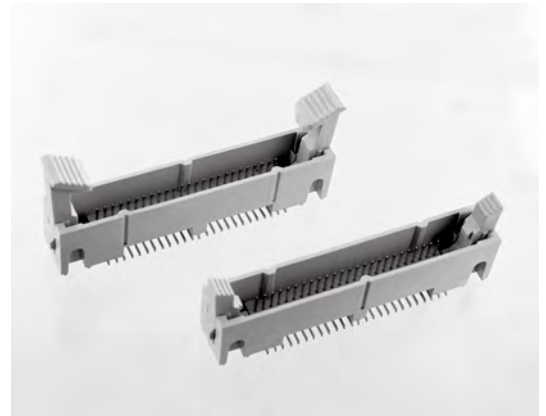
### Material

Insulator : LCP, glass reinforced, rated UL 94V-0  
 Contact : Phosphor Bronze

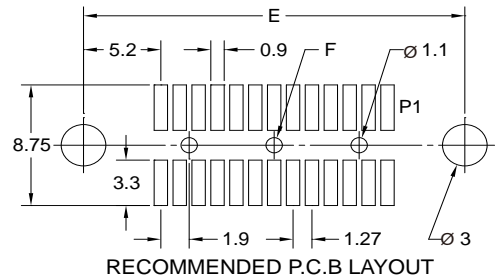
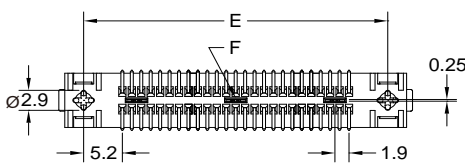
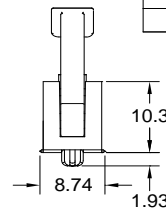
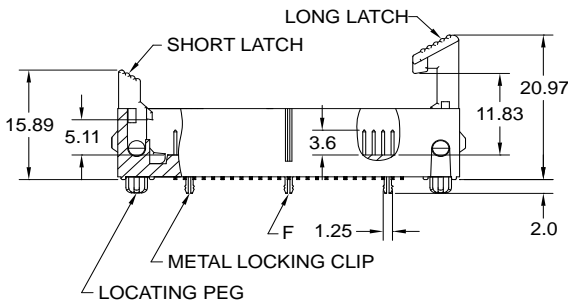
### Electrical

Current Rating : 1 Amp  
 Contact Resistance : 30 mΩ max.  
 Insulation Resistance : 1000 MΩ min.  
 Dielectric Withstanding Voltage : 250V AC for 1minute  
 Operating Temperature : -40°C to +105°C

► Mating Suggestion : A53 series.



POSITION	A	B	C	D	E	F
10	20.57	13.08	5.08	—	15.50	○
20	26.92	19.43	11.43	6.35	21.85	×
26	30.73	23.24	15.24	10.16	25.66	○
30	33.27	25.78	17.78	12.70	28.20	○
34	35.81	28.32	20.32	15.24	30.74	○
36	37.08	29.59	21.59	16.51	32.01	○
40	39.62	32.13	24.13	19.05	34.55	○
50	45.97	38.48	30.48	25.40	40.90	○
60	52.32	44.83	36.83	31.75	47.25	○
68	57.40	49.91	41.91	36.83	52.33	○
80	65.02	57.53	49.53	44.45	59.95	○
100	77.72	70.23	62.23	57.15	72.65	○



**How to order:** C96b - 1 - 2 - 3 - 4 - 5 - 6 - 7 - G(RoHS)

1.NO. OF CONTACT		2.CONTACT MATERIAL		3.CONTACT PLATING	
06 08 10 12 14 16 20 24 26 30 34 40 44 50 60 64		B: PHOSPHOR BRONZE		T: TIN PLATED S: SELECTIVE G: GOLD FLASH	
4.ACCESSORIES	5.SPECIAL FUNCTION	6.PACKAGING	7. INSULATOR COLOR	A: 5u" INCH GOLD B: 10u" INCH GOLD C: 15u" INCH GOLD D: 30u" INCH GOLD	
A: LONG LATCH B: SHORT LATCH C: W/O ANY LATCH	A: W LOCATING PEG & W LOCKING CLIP B: W LOCATING PEG & W/O LOCKING CLIP C: W/O LOCATING PEG & W LOCKING CLIP D: W/O LOCATING PEG & W/O LOCKING CLIP	A:TUBE WITH PAD B: TUBE W/O PAD C: TAPE & REEL WITH PAD	9. IVORY		