

CO2d DUAL PORT SHROUDED HEADER WITH STEEL SWIN-LOCK R/A

PITCH: 2.54mm * 2.54mm

SPECIFICATIONS

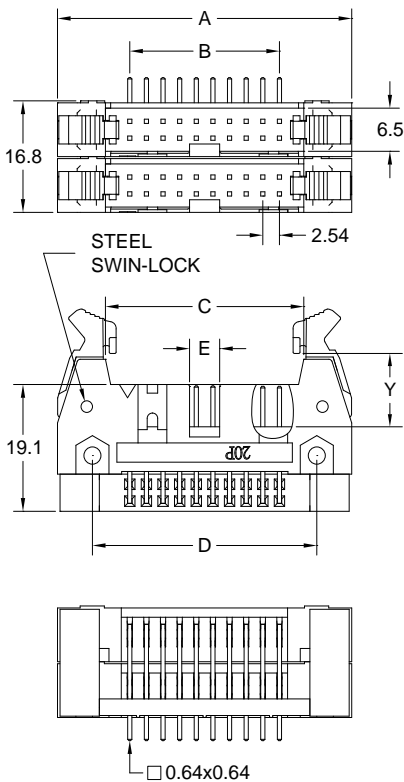
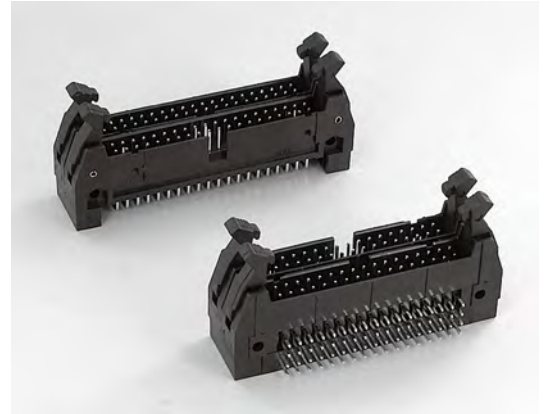
Material

Insulator : PBT, glass reinforced, rated UL 94V-0
 Contact : Phosphor Bronze

Electrical

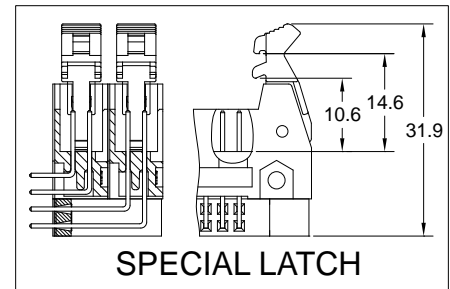
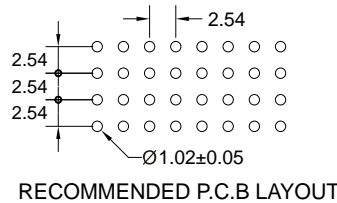
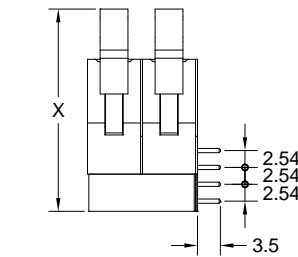
Current Rating : 2 Amp
 Contact Resistance : 30 mΩ max.
 Insulation Resistance : 3000 MΩ min.
 Dielectric Withstanding Voltage : 500V AC for 1minute
 Operating Temperature : -40°C to +105°C

► Mating Suggestion : A01, A01e, A03a, A03b & A35 series.



ACCESSORIES	X	Y
LONG LATCH	32.0	14.8
SHORT LATCH	30.5	11.1

POSITION	A	B	C	D	E
6	27.16	5.08	12.52	16.49	2.9
8	29.70	7.62	15.06	19.03	2.9
10	32.24	10.16	17.60	21.57	4.6
14	37.32	15.24	22.68	26.65	4.6
16	39.86	17.78	25.22	29.19	4.6
20	44.94	22.86	30.30	34.27	4.6
24	50.02	27.94	35.38	39.35	4.6
26	52.56	30.48	37.92	41.89	4.6
30	57.64	35.56	43.00	46.97	4.6
34	62.72	40.64	48.08	52.05	4.6
40	70.34	48.26	55.70	59.67	4.6
44	75.42	53.34	60.78	64.75	4.6
50	83.04	60.96	68.40	72.37	4.6
60	95.74	73.66	81.10	85.07	4.6
64	100.82	78.74	86.18	90.15	4.6



How to order: C02d - 1 - 2 - 3 - 4 - 5 - G(RoHS)

1.NO. OF CONTACT	2.CONTACT MATERIAL	3.CONTACT PLATING	4.ACCESSORIES	5.INSULATOR COLOR
06 08 10 14 16 20 24 26 30 34 40 44 50 60 64	B: PHOSPHOR BRONZE	T: TIN PLATED S: SELECTIVE G: GOLD FLASH A: 5u" INCH GOLD B: 10u" INCH GOLD C: 15u" INCH GOLD D: 30u" INCH GOLD	A: LONG LATCH B: SHORT LATCH C: SPECIAL LATCH	1. BLACK 2. GREY



DON CONNEX
ELECTRONICS CO., LTD

T:886 2 86483356 | F:886 2 86485885
e-mail: info@donconnex.com.tw



Connector: E163339 | Flat cable: E162690
Wiring Harnesses: E312257

