

# C31 DUAL ROW PIN HEADER H: 7.2mm STR

**PITCH: 2.54mm \* 2.54mm**

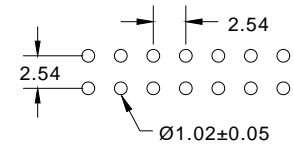
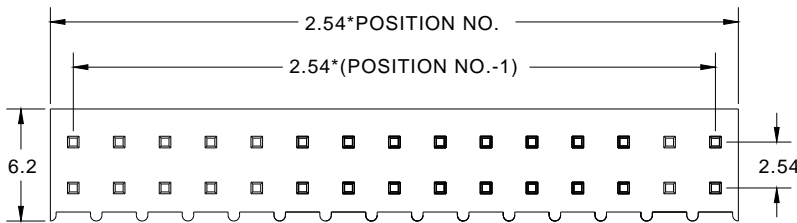
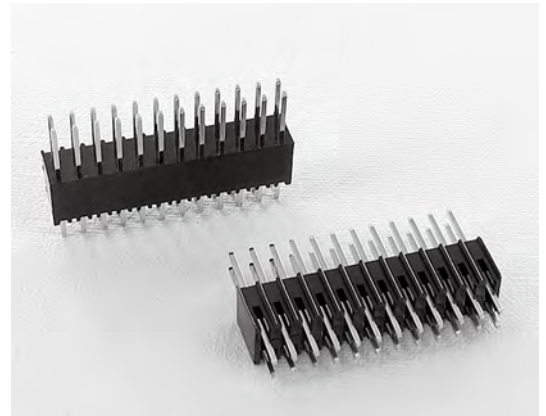
## SPECIFICATIONS

### Material

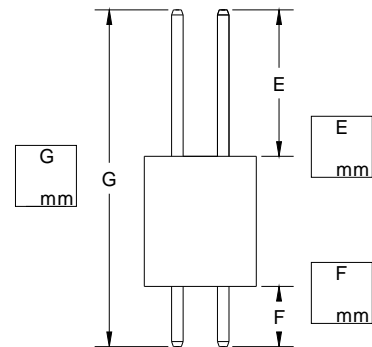
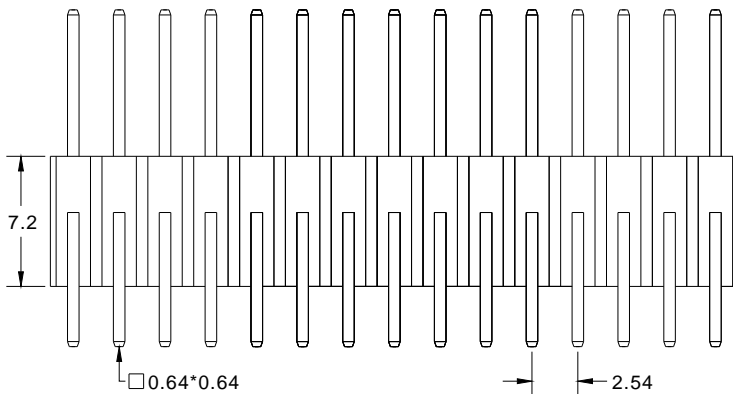
Insulator : PBT, glass reinforced, rated UL 94V-0  
 Contact : Phosphor Bronze or Brass

### Electrical

Current Rating : 1 Amp  
 Contact Resistance : 30 mΩ max.  
 Insulation Resistance : 3000 MΩ min.  
 Dielectric Withstanding Voltage : 500V AC for 1minute  
 Operating Temperature : -40°C to +105°C



RECOMMENDED P.C.B LAYOUT



**How to order:** C31 - 1 - 2 - 3 - 4 - 5 - G(RoHS)

1.NO. OF CONTACT	2.CONTACT MATERIAL	3.CONTACT PLATING	4.INSULATOR COLOR	5. PIN LENGTH
04 TO 80	A: BRASS B: PHOSPHOR BRONZE	T: TIN PLATED S: SELECTIVE G: GOLD FLASH A: 5u" INCH GOLD B: 10u" INCH GOLD C: 15u" INCH GOLD D: 30u" INCH GOLD	1. BLACK	E / F / G