

# C105a SHROUDED HEADER WITH EJECT LEVERS R/A

**PITCH: 2.54mm\*2.54mm**

## SPECIFICATIONS

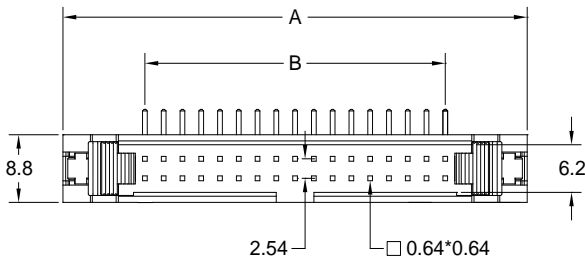
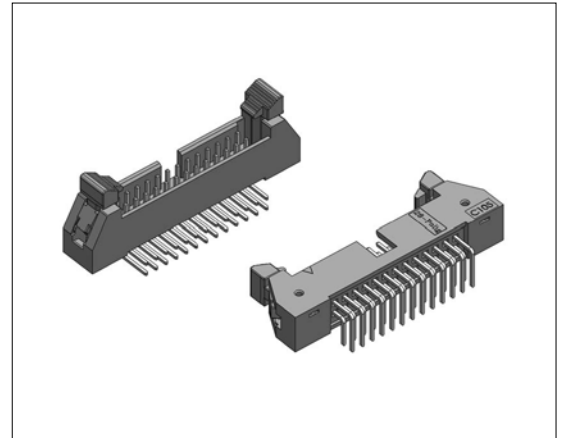
### Material

Insulator: LCP, glass reinforced, rated UL 94V-0  
Contact: Brass

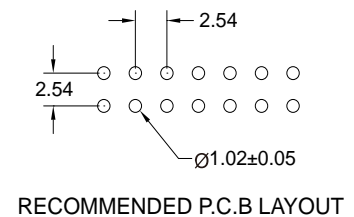
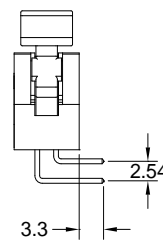
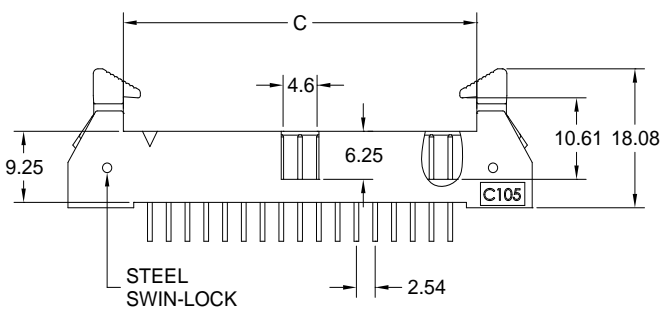
### Electrical

Current Rating : 1 Amp  
Contact Resistance : 30 mΩ max.  
Insulation Resistance : 3000 MΩ min.  
Dielectric Withstanding Voltage : 500V AC for 1minute  
Operating Temperature : -40°C to +105°C

► Mating Suggestion: A72 series.



POSITION	A	B	C
4	24.71	2.54	9.72
6	27.25	5.08	12.26
8	29.79	7.62	14.80
10	32.33	10.16	17.34
12	34.87	12.70	19.88
14	37.41	15.24	22.42
16	39.95	17.78	24.96
20	45.03	22.86	30.04
24	50.11	27.94	35.12
26	52.65	30.48	37.66
30	57.73	35.56	42.74
34	62.81	40.64	47.82
40	70.43	48.26	55.44



**How to order:** C105a - 1 - 2 - 3 - 4 - G(RoHS)

1.NO. OF CONTACT	2.CONTACT MATERIAL	3.CONTACT PLATING	4.INSULATOR COLOR
04 06 08 10 12 14 16 20 24 26 30 34 40	A: BRASS	T: TIN PLATED S: SELECTIVE G: GOLD FLASH A: 5u" INCH GOLD B: 10u" INCH GOLD C: 15u" INCH GOLD D: 30u" INCH GOLD	1. BLACK