

C105b SHROUDED HEADER WITH EJECT LEVERS SMT

PITCH: 2.54mm * 2.54mm

SPECIFICATIONS

Material

Insulator: LCP, glass reinforced, rated UL 94V-0

Contact: Brass

Electrical

Current Rating : 1 Amp

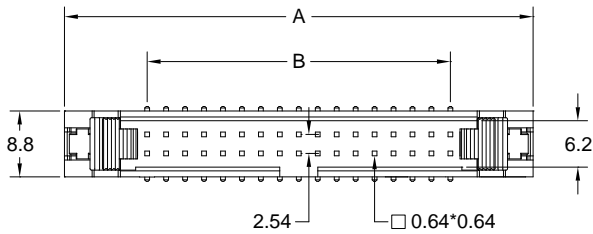
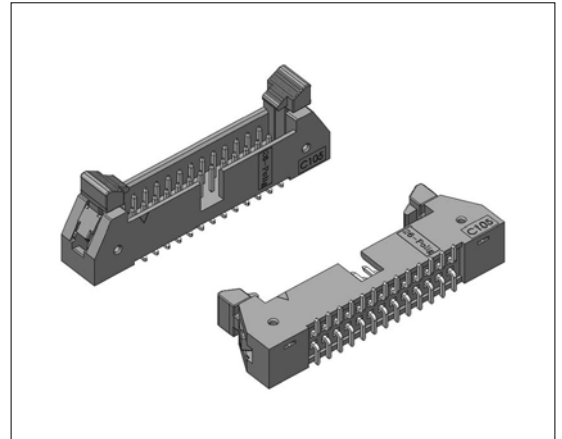
Contact Resistance : 30 mΩ max.

Insulation Resistance : 3000 MΩ min.

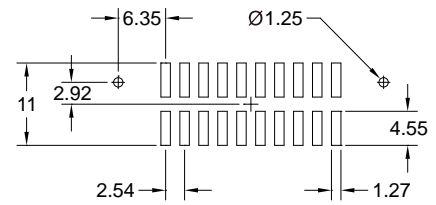
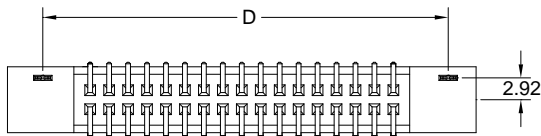
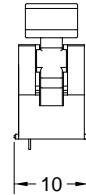
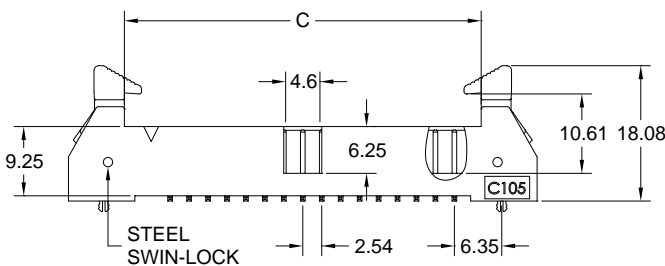
Dielectric Withstanding Voltage : 500V AC for 1minute

Operating Temperature : -40°C to +105°C

► Mating Suggestion: A72 series.



POSITION	A	B	C	D
4	24.71	2.54	9.72	15.24
6	27.25	5.08	12.26	17.78
8	29.79	7.62	14.80	20.32
10	32.33	10.16	17.34	22.86
12	34.87	12.70	19.88	25.40
14	37.41	15.24	22.42	27.94
16	39.95	17.78	24.96	30.48
20	45.03	22.86	30.04	35.56
24	50.11	27.94	35.12	40.64
26	52.65	30.48	37.66	43.18
30	57.73	35.56	42.74	48.26
34	62.81	40.64	47.82	53.34
40	70.43	48.26	55.44	60.96



RECOMMENDED P.C.B LAYOUT

How to order: C105b - 1 - 2 - 3 - 4 - 5 - 6 - G(RoHS)

1.NO. OF CONTACT	2.CONTACT MATERIAL	3.CONTACT PLATING	4.SPECIAL FUNCTION	5.PACKAGING	6.INSULATOR COLOR
04 06 08 10 12 14 16 20 24 26 30 34 40	A: BRASS	T: TIN PLATED S: SELECTIVE G: GOLD FLASH A: 5u" INCH GOLD B: 10u" INCH GOLD C: 15u" INCH GOLD D: 30u" INCH GOLD	A: WITH METAL LOCKING CLIP B: W/O METAL LOCKING CLIP	A: TUBE WITH PAD B: TUBE W/O PAD C: TAPE & REEL WITH PAD	1. BLACK

