

A52b HALF PITCH CRIMP TERMINAL FOR A52, A52a, A52c & A52d

PITCH: 1.27mm

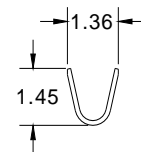
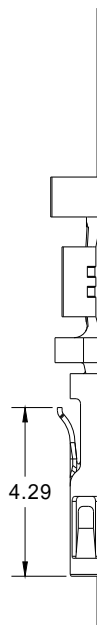
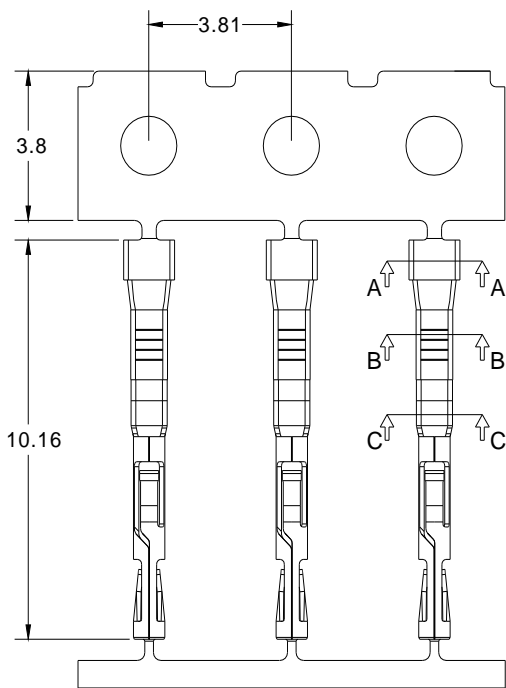
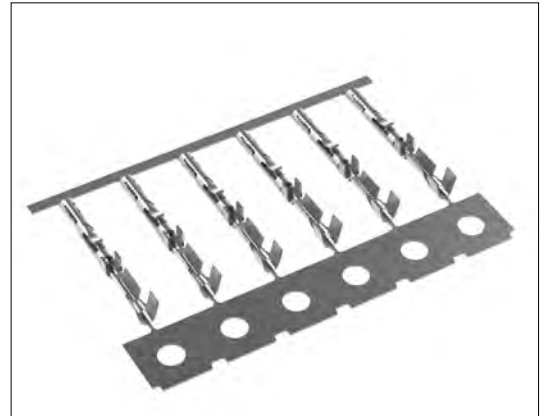
SPECIFICATIONS

Material

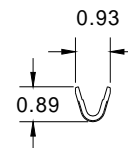
Contact : Phosphor Bronze

Electrical

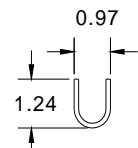
- ▶ Wire Range : AWG#30 - 28
- Insulation O.D. : 0.6 - 0.8mm
- ▶ Crimp Housing mating : A52, A52a, A52c, A52d & A63 series.



SECTION:A-A



SECTION:B-B



SECTION:C-C



How to order: A52b - 1 - 2 - G(RoHS)

1.CONTACT MATERIAL	2.CONTACT PLATING
B: PHOSPHOR BRONZE	G: GOLD FLASH