

A80a WIRE TO BOARD CRIMP TERMINAL FOR A80

PITCH: 4.0mm

SPECIFICATIONS

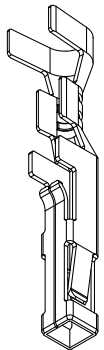
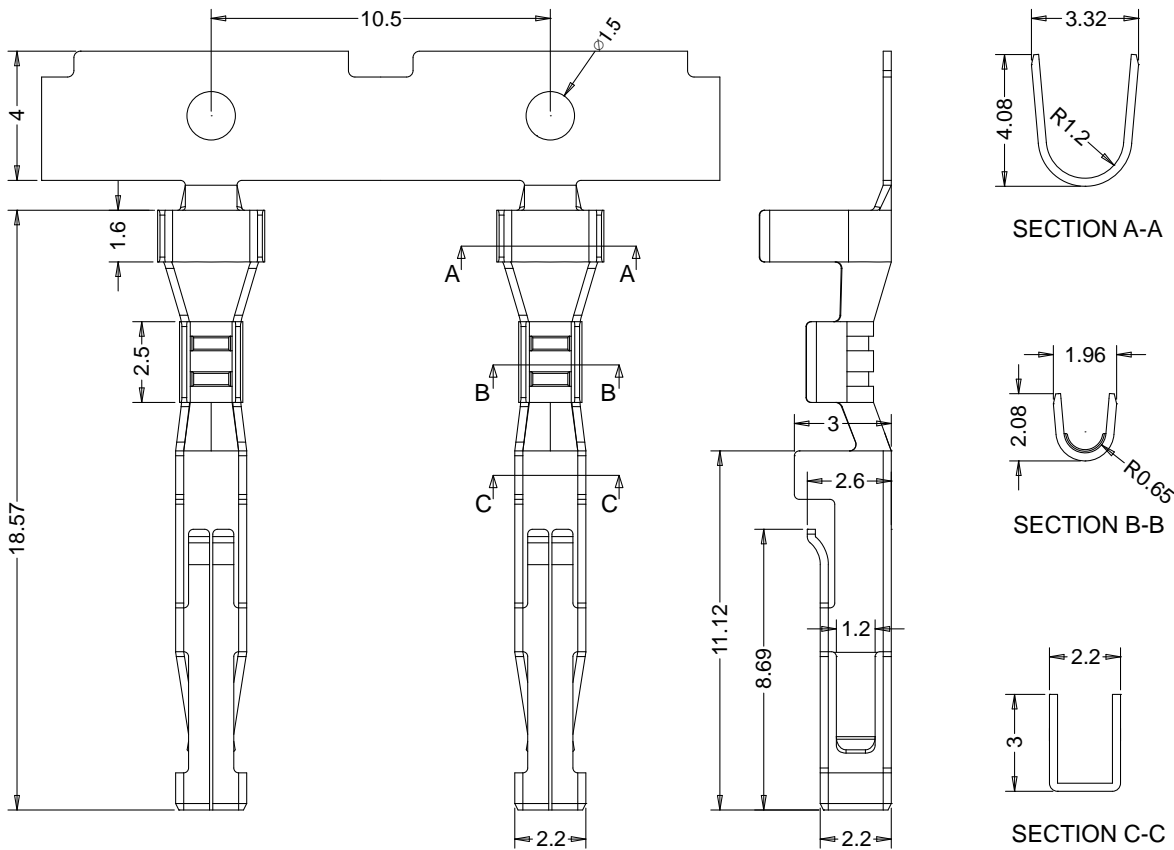
Material

Contact: Phosphor Bronze

▶ Wire Range: AWG#24-18

Insulation O.D. : 2.1mm (max.)

▶ Crimp Housing mating: A80 series.



How to order: A80a - ¹ - ² - G(RoHS)

| 1.CONTACT MATERIAL | 2.CONTACT PLATING |
|--------------------|-------------------|
| B: PHOSPHOR BRONZE | S: SELECTIVE |



DON CONNEX
ELECTRONICS CO., LTD

T:886 2 86483356 | F:886 2 86485885
e-mail: info@donconnex.com.tw



Connector: E163339 | Flat cable: E162690
Wiring Harnesses: E312257